

PROPRIETARY AND CONFIDENTIAL. All dimensions have a (+/-) 1/16" tolerance unless otherwise specified. We do not recommend drilling or cutting any holes before receiving a product or a product sample.

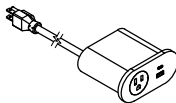




**⚠ WARNING ⚠**

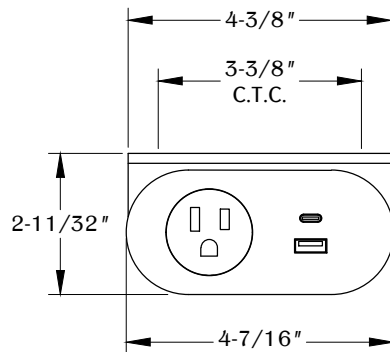
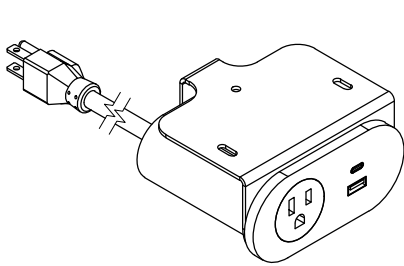
- For indoor use only.
- For use on a normally dry work surface.
- If any malfunction occurs, do not attempt to disassemble or repair.
- Allow enough clearance for part operation.
- Avoid liquid spills into outlet.
- Do not insert foreign objects into the socket.
- Avoid placing the charger in a high temperature environment or near fire.

**SPECIFICATIONS**

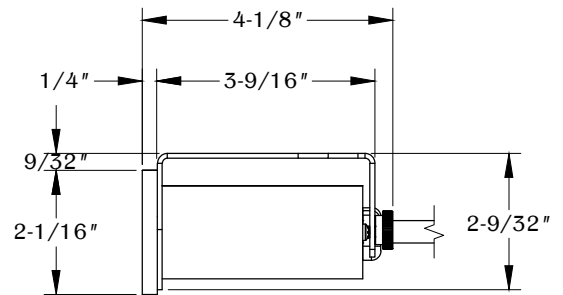
- 9 ft. cord length.
- USB-A and USB-C ports are for charging use only.
- Recommended table thickness is 1/2" MIN.

**TABLE OF CONTENTS**

	..... 1X PCS124A/UC/U
	..... 1X Mounting Bracket
	..... 3X 1/2" No. 10 Pan Head Screw
	..... 2X Wire Manager
	..... 1X 10-32 Thread Plastic Thumb Nut

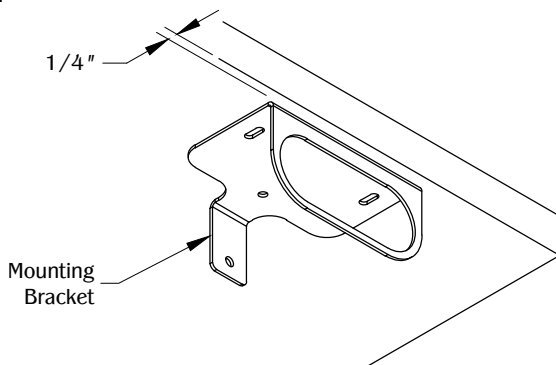


**FRONT VIEW**



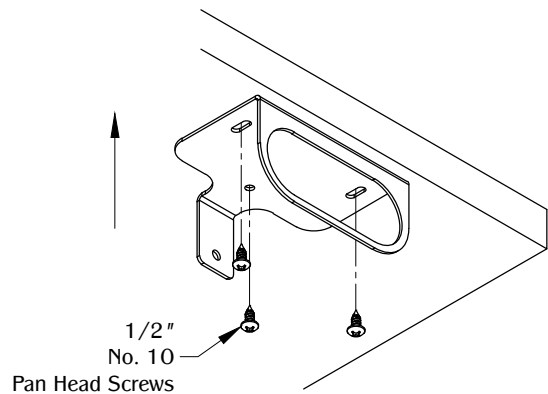
**RIGHT VIEW**

**1**



Determine the position and location of the mounting bracket underneath the edge of the work surface. DO NOT place unit where the cable is strained or trapped. Allow 1/4" clearance from the edge.

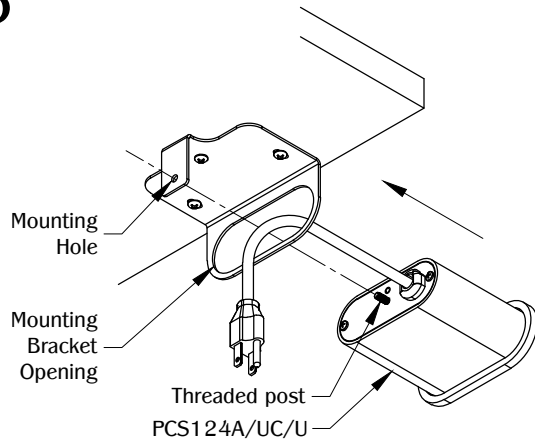
**2**



Use the (3) 1/2" No. 10 pan head screws to secure the mounting bracket under the work surface.

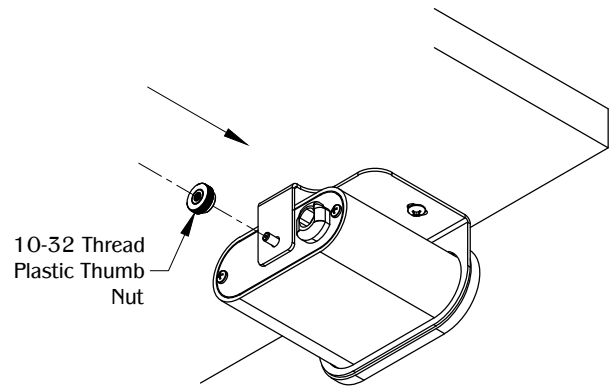
PROPRIETARY AND CONFIDENTIAL. All dimensions have a (+/-) 1/16" tolerance unless otherwise specified. We do not recommend drilling or cutting any holes before receiving a product or a product sample.

### 3



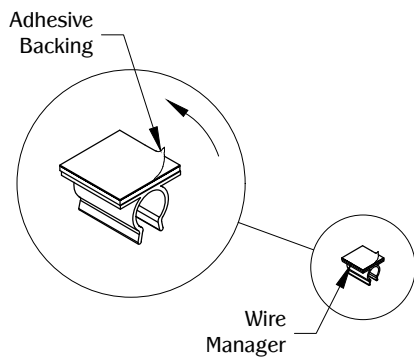
Guide the PCS124A/UC/U through the opening on the mounting bracket. Align the threaded post to the mounting hole at the back of the mounting bracket.

### 4



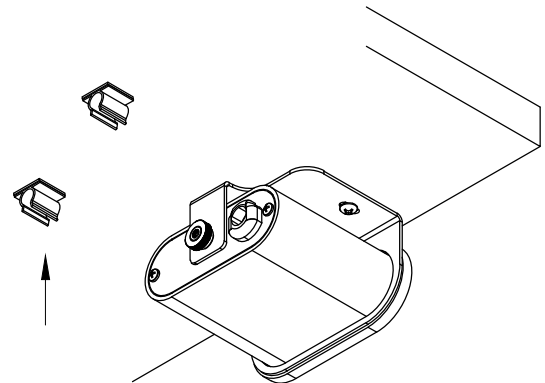
Use the 10-32 thread plastic thumb nut to secure the unit in the mounting bracket.

### 5



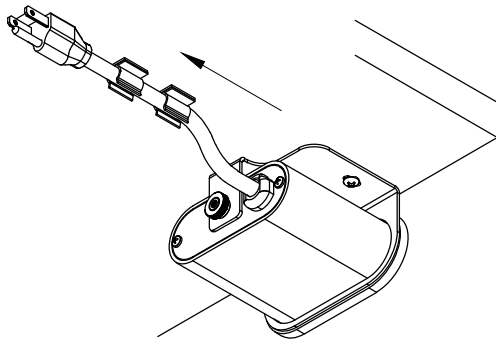
Peel adhesive backing from the wire managers.

### 6



Place wire managers under the work surface.

### 7



Place power cord into the wire managers. Plug the unit into a nearby outlet and the unit is ready for use.