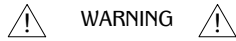


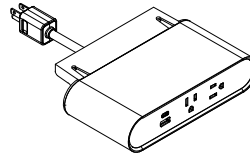
## PCS115/UC

PROPRIETARY AND CONFIDENTIAL.  
ALL DIMENSIONS HAVE A +/- 1/16" TOLERANCE UNLESS OTHERWISE SPECIFIED. WE DO NOT RECOMMEND DRILLING OR CUTTING ANY HOLES BEFORE RECEIVING A PRODUCT OR A PRODUCT SAMPLE.

**WARNING**

- For indoor use only.
- For use on a normally dry work surface.
- If any malfunction occurs, do not attempt to disassemble or repair.
- Allow enough clearance for part operation.
- Avoid liquid spills into outlet.
- Do not insert foreign objects into the socket.

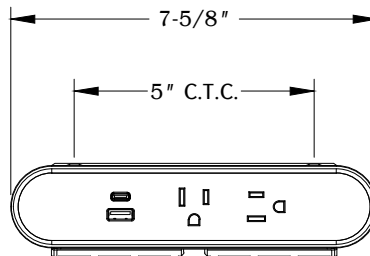
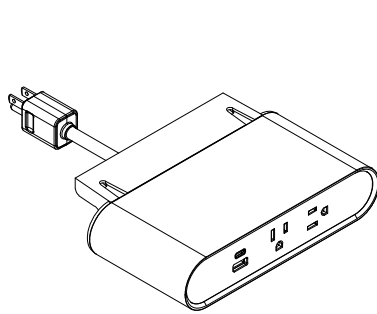
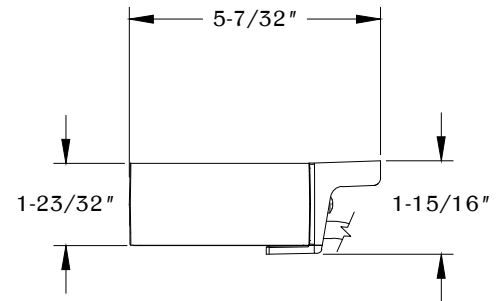
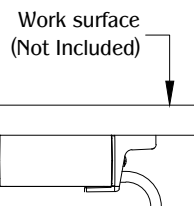
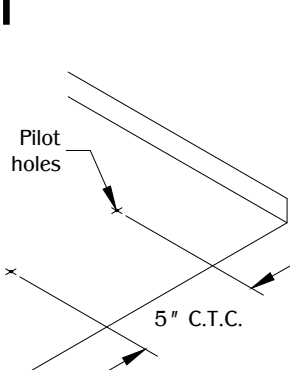
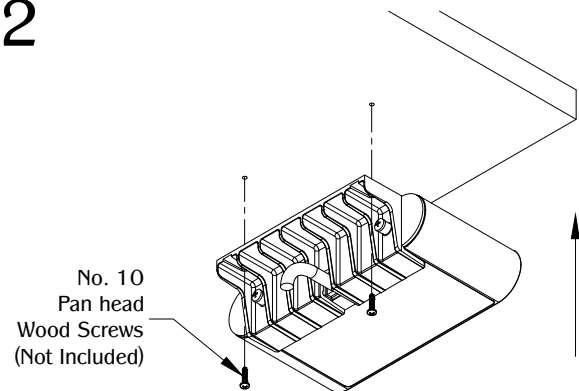
### TABLE OF CONTENTS



..... 1X PCS115/UC

### SPECIFICATIONS

- 9 ft. cord length.
- Plug dimension is 1-11/32" X 1-1/32" X 7/8".
- USB-A & USB-C ports are for charging use only.

**FRONT VIEW****SIDE VIEW****1****2**

Determine the position and location of the unit under the work surface. Place and allow enough clearance for unit operation. DO NOT place unit where the cables are strained or trapped. Mark the mounting holes and drill 1/8" diameter pilot holes at 5" center to center.

Align the mounting holes with the pilot holes. Use (2) No. 10 pan head wood screws to secure the part under the work surface. (Note: Use appropriate mounting hardware type and length depending on the material and thickness of the work surface.)