

PCS112/WC/UC

PROPRIETARY AND CONFIDENTIAL.
ALL DIMENSIONS HAVE A +/- 1/16" TOLERANCE UNLESS OTHERWISE SPECIFIED. WE DO NOT RECOMMEND DRILLING OR CUTTING ANY HOLES BEFORE RECEIVING A PRODUCT OR A PRODUCT SAMPLE.



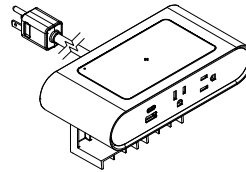
WARNING

- For indoor use only.
- For use on a normally dry work surface.
- If any malfunction occurs, do not attempt to disassemble or repair.
- Avoid placing the charger in a high temperature environment or near fire.

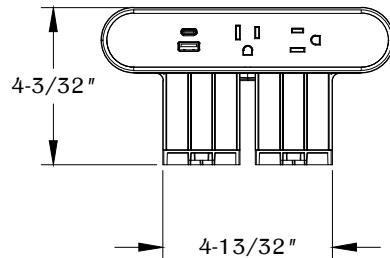
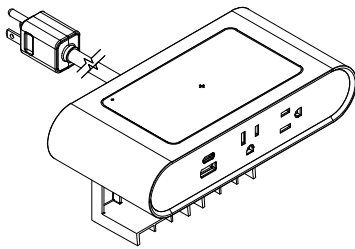
SPECIFICATIONS

- 9 ft. cord length.
- USB-A and USB-C ports are for charging use only.
- Table thickness is 2" MAX.
- Wireless output 5W MAX.
- Mobile device must be equipped with a wireless charging receiver (wireless charging accessories not included.) Check mobile manufacturer for compatibility.
- Plug dimension is 1-11/32" X 1-1/32" X 7/8".

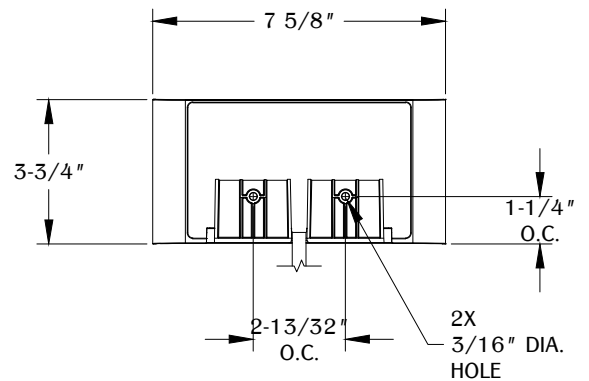
TABLE OF CONTENTS



..... 1X PCS112/WC/UC

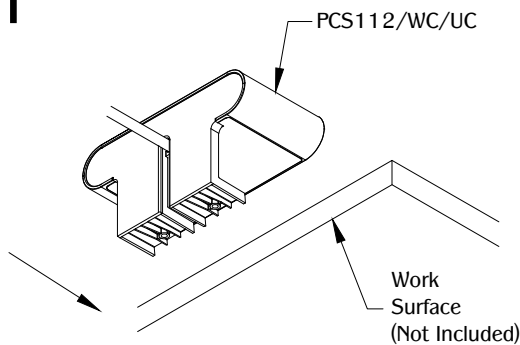


FRONT VIEW



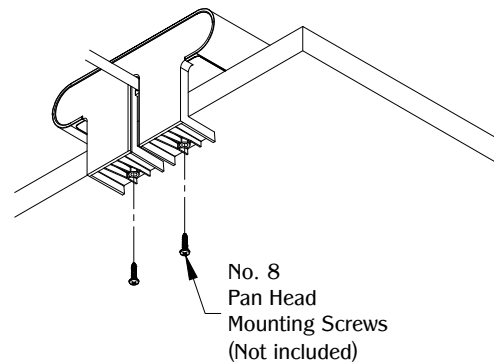
BOTTOM VIEW

1



Determine the position and location of the PCS112/WC/UC on the edge of the work surface. DO NOT place the unit where the cable is strained or trapped.

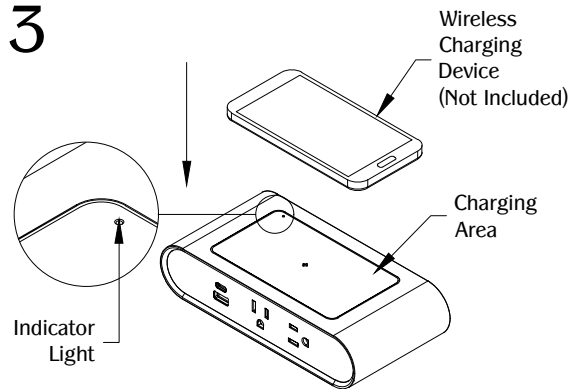
2



Use (2) No. 8 pan head mounting screws to secure the PCS112/WC/UC. (Note: Use appropriate screws and screw length depending on the table type and thickness.) Plug the unit into a nearby outlet and unit is ready for use.

PCS112/WC/UC

PROPRIETARY AND CONFIDENTIAL.
ALL DIMENSIONS HAVE A +/- 1/16" TOLERANCE UNLESS OTHERWISE SPECIFIED. WE DO NOT RECOMMEND DRILLING OR CUTTING ANY HOLES BEFORE RECEIVING A PRODUCT OR A PRODUCT SAMPLE.



Position the mobile device on the center of the charging area. The indicator light will blink a blue light to signify that the device is actively charging or the charging icon will activate on the device's screen. The indicator light will show a red light when the device is not aligned at the center of the charging area.