

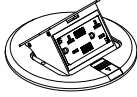
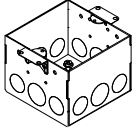

PCS/FG3/USB

PROPRIETARY AND CONFIDENTIAL.
ALL DIMENSIONS HAVE A +/- 1/16" TOLERANCE UNLESS OTHERWISE SPECIFIED. WE DO NOT RECOMMEND DRILLING OR CUTTING ANY HOLES BEFORE RECEIVING A PRODUCT OR A PRODUCT SAMPLE.

⚠ WARNING ⚠

- For installation by a qualified electrician in accordance with the National Electric Code and local regulations.
- Risk of electric shock. Disconnect power before installation.
- 10-12 AWG stranded or solid copper wire is recommended.
- Ensure there is sufficient depth & space below the sub-floor.
- For indoor use only.
- For use on normally dry work surface only.
- If any malfunction occurs, do not attempt to disassemble or repair.
- Avoid placing the unit in a high temperature environment or near fire.
- This product can expose you to chemicals including lead and lead compounds, which are known to the state of California to cause cancer and birth defects or other reproductive harm. For more information go to www.P65WARNINGS.ca.gov.


TABLE OF CONTENTS

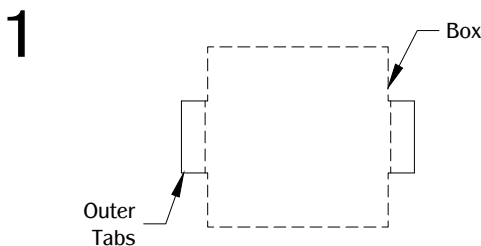
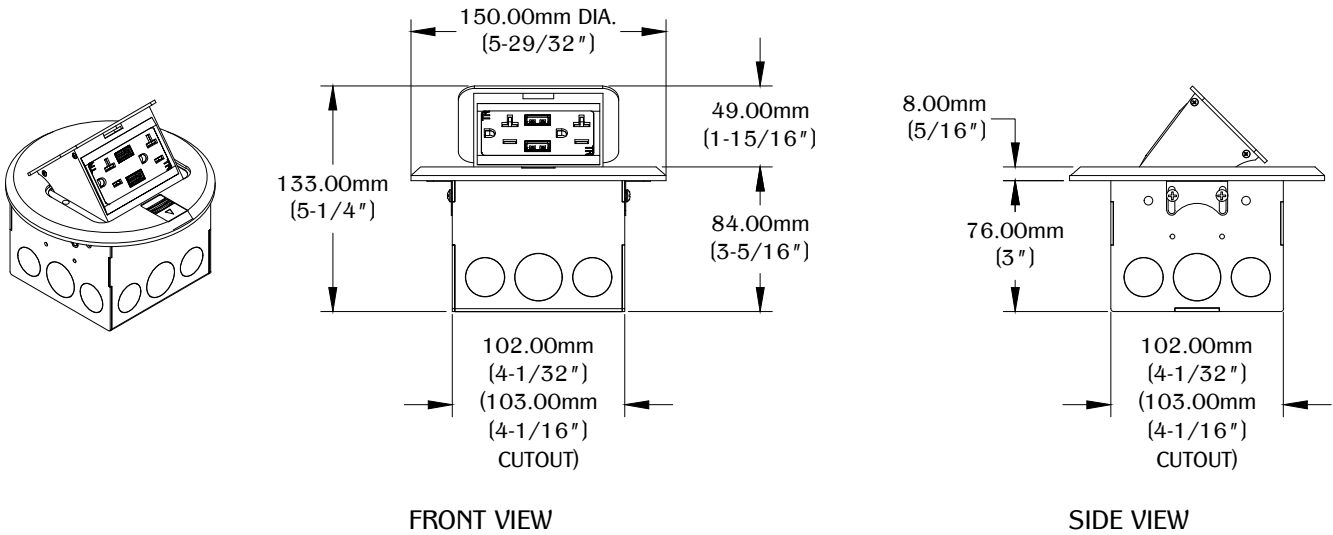
-  1X PCS/FG3/USB
-  1X Outlet Housing
-  2X 1-5/16" 6-32 Thread Flat Head Mounting Screw

SPECIFICATIONS

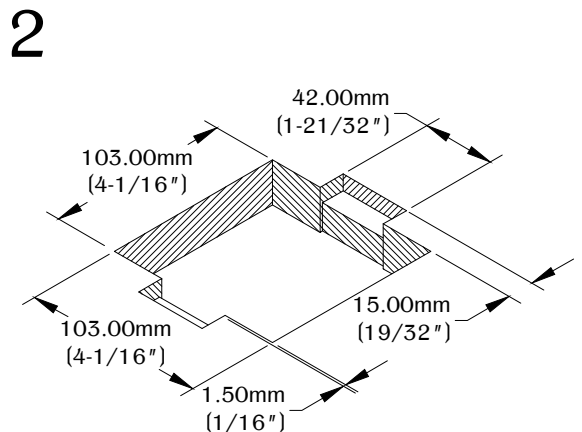
- USB-A ports are for charging use only.
- Recommended floor thickness for undermount should be 28.50mm (1-1/8") MAX.

HARDWARE REQUIREMENTS (NOT INCLUDED)

-  4X No. 8 Flat Head Wood Screw



Determine the position and location of the unit in the work surface. Ensure there is sufficient space below the sub-floor. For carpeted floors: Cut out a section of carpet smaller than the size of the cover. For wood sub-floors and finished hardwood floors: Tape the cutout template printout on page 4 to the area you want to place the outlet housing. Use a knife and cut the outline of the box. Start with the outer tabs and move inwards. Following the outline, cut the box shape without the outer tabs completely through the sub-floor or hardwood floor.



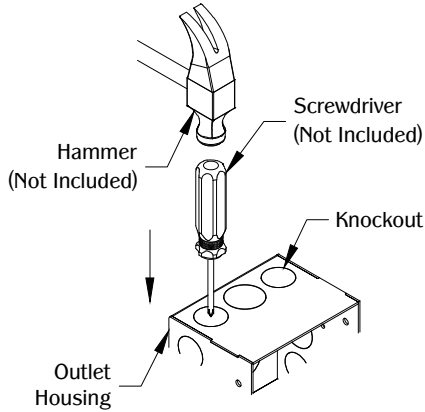
For cutout sizing instructions and template, please refer to page 4.

PCS/FG3/USB

PROPRIETARY AND CONFIDENTIAL.

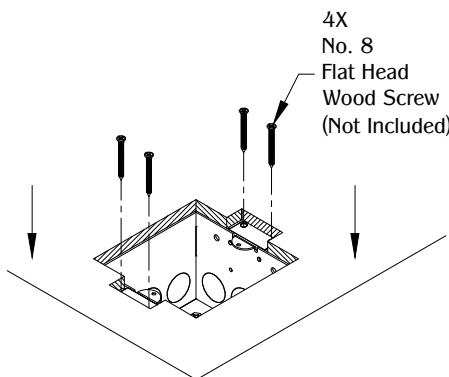
ALL DIMENSIONS HAVE A +/- 1/16" TOLERANCE UNLESS OTHERWISE SPECIFIED. WE DO NOT RECOMMEND DRILLING OR CUTTING ANY HOLES BEFORE RECEIVING A PRODUCT OR A PRODUCT SAMPLE.

3



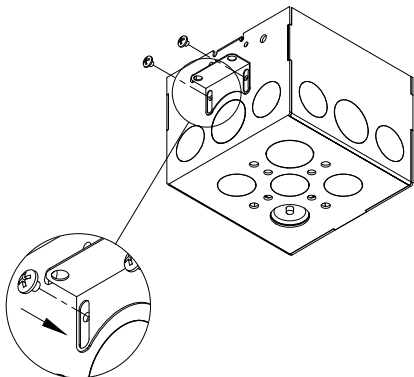
Create an opening for the wires to pass through by hitting one of the knockouts on the outlet housing with a screwdriver and a hammer.

5



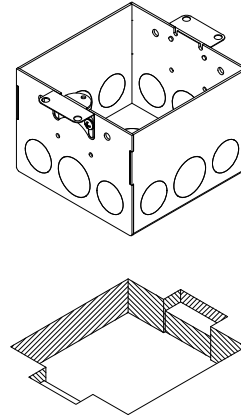
Secure the outlet housing with (4) No. 8 flat head wood screws on both sides of the part. (Note: Use appropriate mounting hardware type and length depending on material and thickness of the work surface.)

7



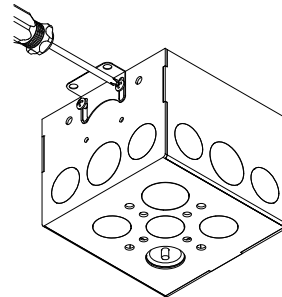
Move tabs to the holes below. Secure tabs with (4) 8-32 threaded screws.

4 Top Mount



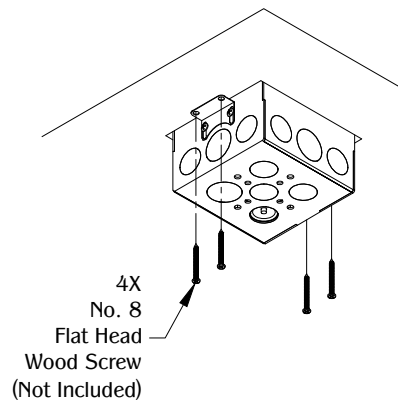
Install the outlet housing into the cutout and make sure it is fully leveled onto the routed tabs.

6 Undermount



For undermount installation remove tabs by using screwdriver to loosen (4) screws located on each side of the outlet housing. (Note: We recommend floor thickness should be 28.50mm (1-1/8") MAX.)

8



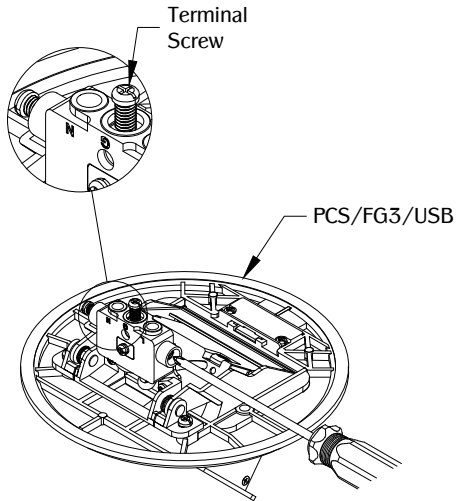
Secure the outlet housing with (4) No. 8 flat head wood screws on both sides of the part. (Note: Use appropriate mounting hardware type and length depending on material and thickness of the work surface.)

PCS/FG3/USB

PROPRIETARY AND CONFIDENTIAL.

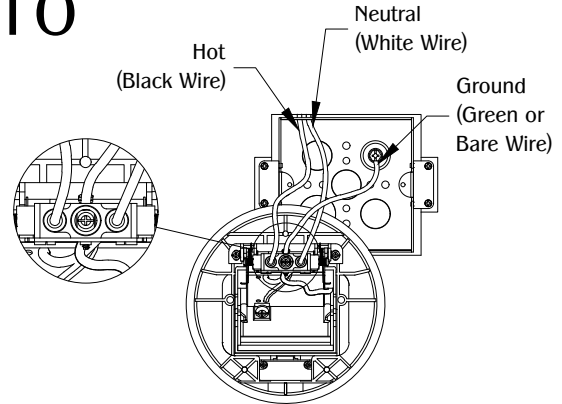
ALL DIMENSIONS HAVE A +/- 1/16" TOLERANCE UNLESS OTHERWISE SPECIFIED. WE DO NOT RECOMMEND DRILLING OR CUTTING ANY HOLES BEFORE RECEIVING A PRODUCT OR A PRODUCT SAMPLE.

9



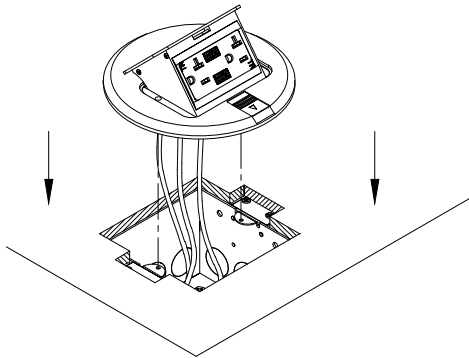
Use a Phillips screwdriver to loosen the terminal screws located at the bottom of the PCS/FG3/USB.

10



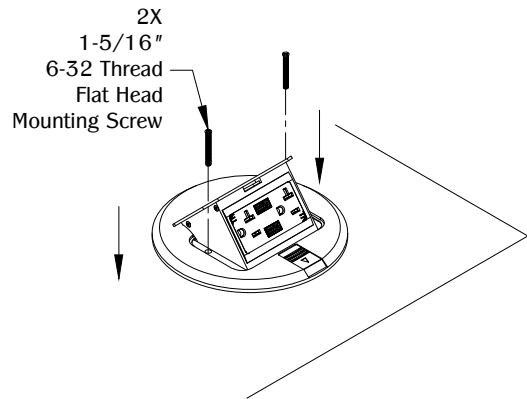
It is recommended that a qualified electrician performs this installation. Guide wires through the opening in the outlet housing. Insert the HOT wire to LINE terminal and tighten the screw. Insert the NEUTRAL wire to the NEUTRAL terminal and tighten the screw. Insert the GROUND wire to the GREEN terminal and tighten the screw.

11



Align the (2) mounting holes on PCS/FG3/USB to the (2) mounting tabs on outlet housing.

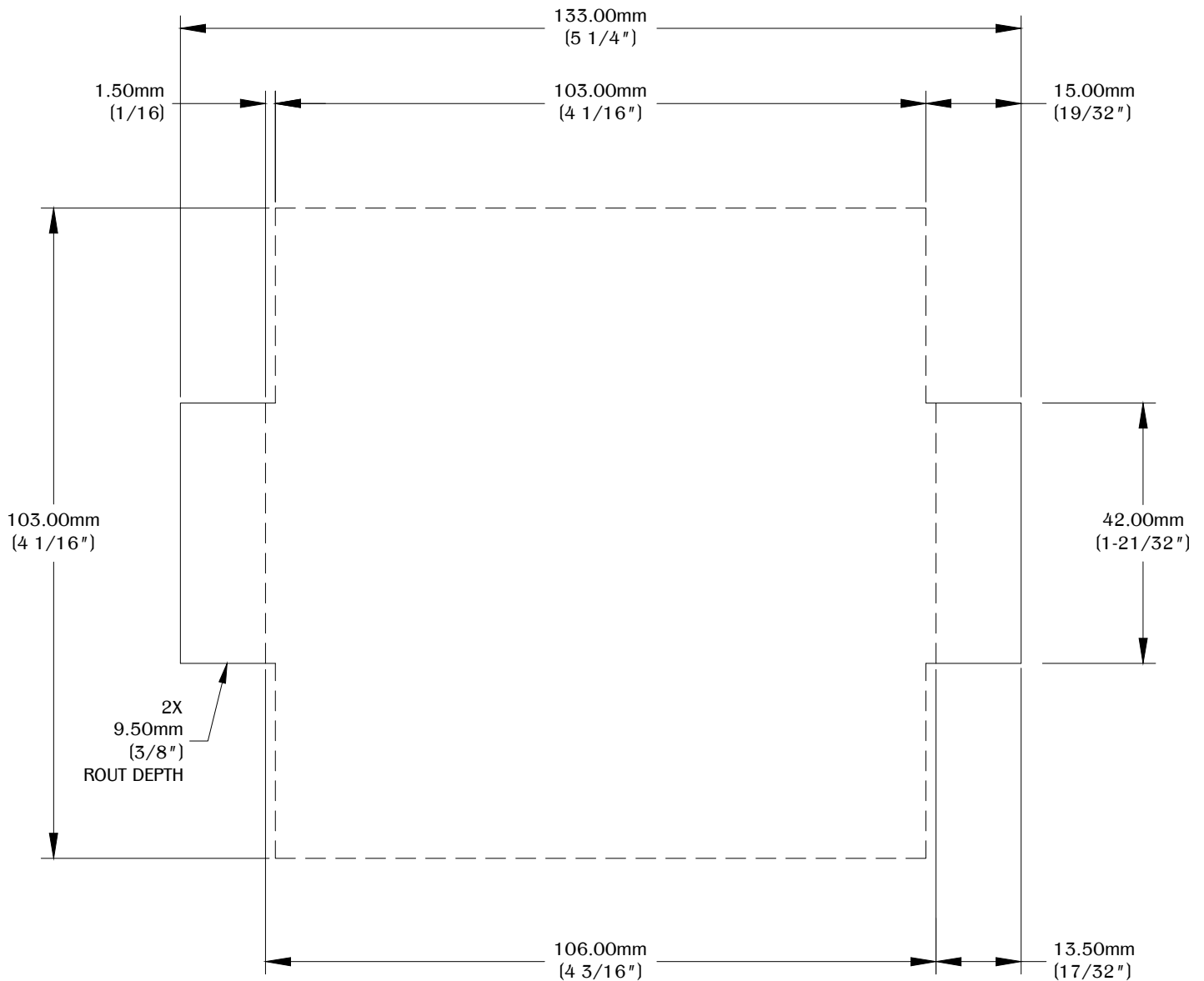
12



Secure the PCS/FG3/USB to the outlet housing with (2) 1-5/16" 6-32 thread flat head mounting screws.

CUTOUT TEMPLATE

PROPRIETARY AND CONFIDENTIAL.
ALL DIMENSIONS HAVE A +/- 1/16" TOLERANCE UNLESS OTHERWISE SPECIFIED. WE DO NOT RECOMMEND DRILLING OR CUTTING ANY HOLES BEFORE RECEIVING A PRODUCT OR A PRODUCT SAMPLE.



NOTE:

1. It is recommended that the unit be installed by a professional electrician.
2. Installation must comply with National Electric Code and local regulations.
3. Print using actual size setting.
4. Make sure template measures to scale before making a cutout.
5. Dashed line represents a through hole cut.