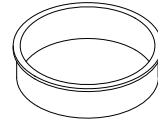


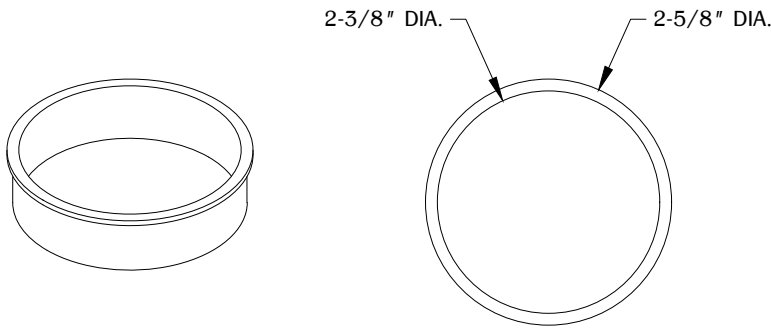
MM6A

PROPRIETARY AND CONFIDENTIAL.
ALL DIMENSIONS HAVE A +/- 1/32" TOLERANCE UNLESS OTHERWISE SPECIFIED. WE DO NOT RECOMMEND DRILLING OR CUTTING ANY HOLES BEFORE RECEIVING A PRODUCT OR A PRODUCT SAMPLE.

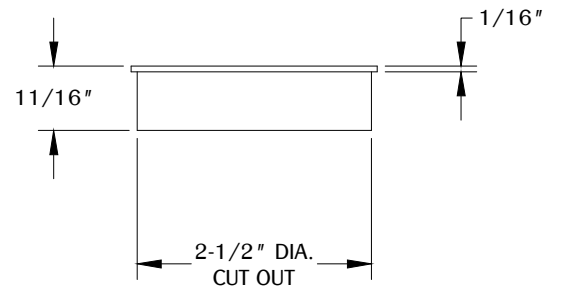
TABLE OF CONTENTS



..... 1X MM6A

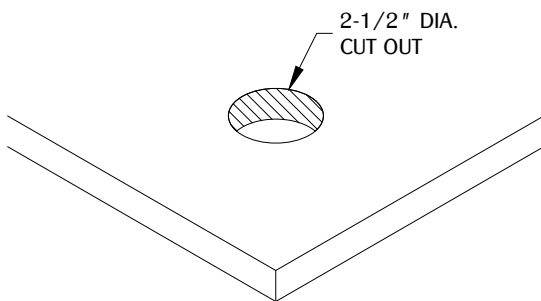


TOP VIEW



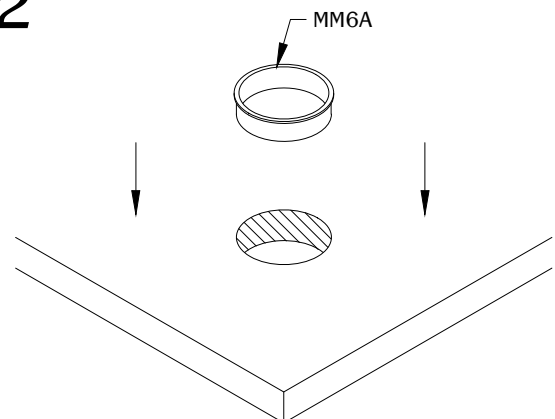
FRONT VIEW

1



Make a cut out in the desired location on your work surface.
Cut a hole at 2-1/2" diameter.

2



Install the MM6A into the cut out and make sure it is fully leveled onto the work surface.