

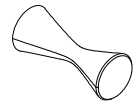


HK39

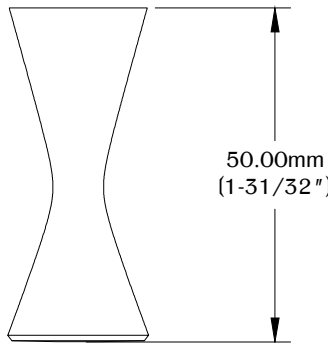
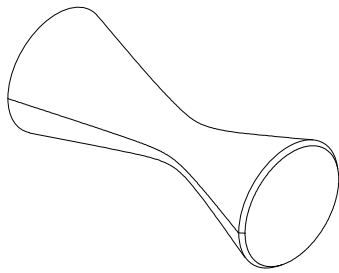
PROPRIETARY AND CONFIDENTIAL.
ALL DIMENSIONS HAVE A +/- 1/32" TOLERANCE UNLESS OTHERWISE SPECIFIED. WE DO NOT RECOMMEND DRILLING OR CUTTING ANY HOLES BEFORE RECEIVING A PRODUCT OR A PRODUCT SAMPLE.

SPECIFICATIONS

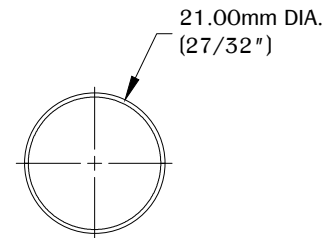
- Weight capacity is 5 lbs. MAX.
- Must be installed into stud.

TABLE OF CONTENTS

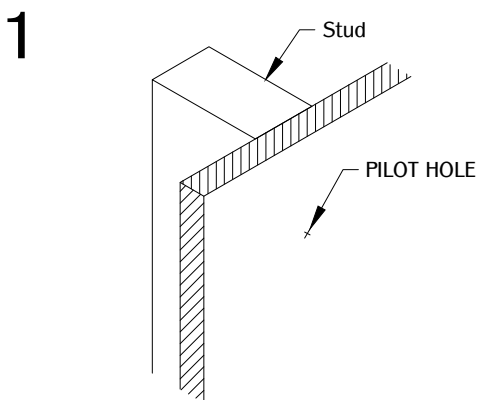
 1X HK39
 1X Plastic Anchor
 1X M4 X 40.00mm Hanger Bolt



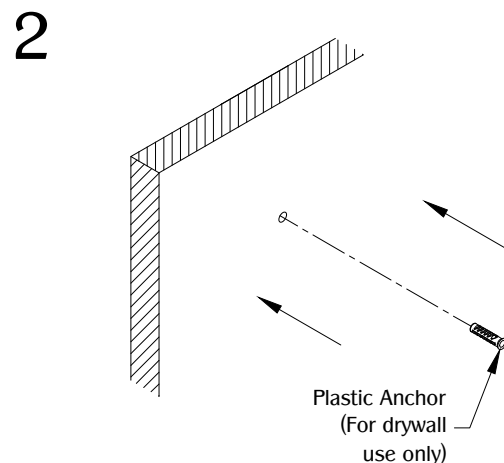
TOP VIEW



FRONT VIEW



Determine the position and location of the part on the work surface. Mark the mounting position for the mounting hardware and drill a 5.00mm (3/16") diameter pilot hole for drywall or a 3.00mm (1/8") diameter pilot hole for stud installation.

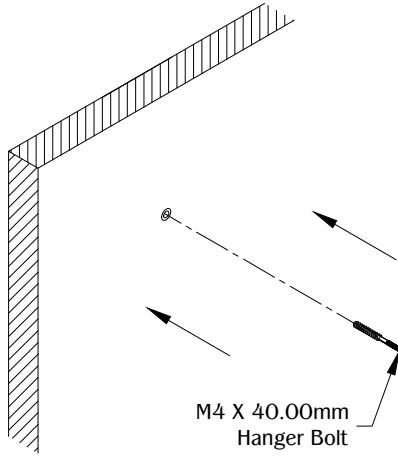


Place plastic anchor into 5.00mm (3/16") diameter pilot hole.

HK39

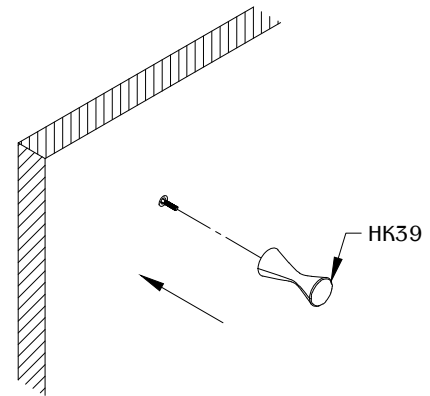
PROPRIETARY AND CONFIDENTIAL.
ALL DIMENSIONS HAVE A +/- 1/32" TOLERANCE UNLESS OTHERWISE SPECIFIED. WE DO NOT RECOMMEND DRILLING OR CUTTING ANY HOLES BEFORE RECEIVING A PRODUCT OR A PRODUCT SAMPLE.

3



Align the M4 X 40.00mm hanger bolt to plastic anchor.

4



Align HK39 to M4 X 40.00mm hanger bolt. Secure by tightening clockwise and make sure part is fully level on the work surface.