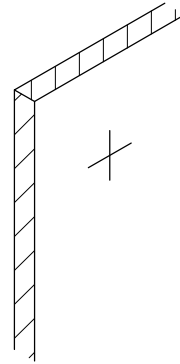


1

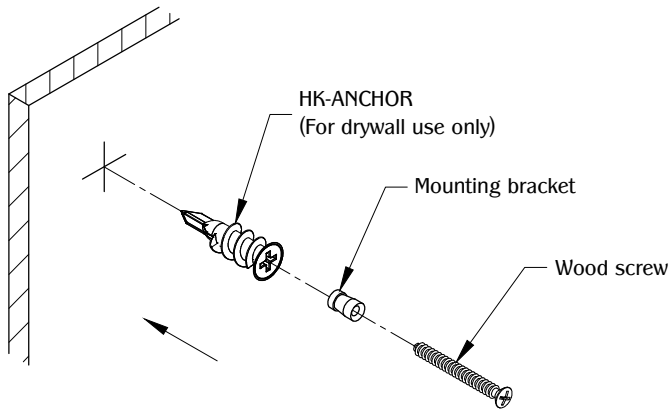


NOTE:

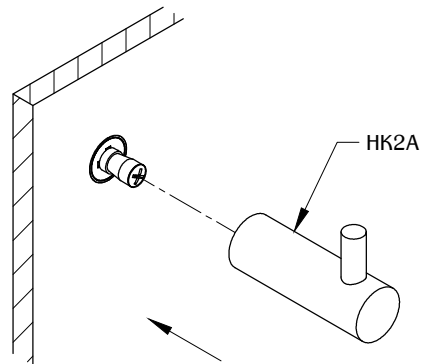
- Weight capacity is 20 lbs. MAX.

Determine the position and location of the part on the work surface. Mark the mounting position for the mounting hardware.

2



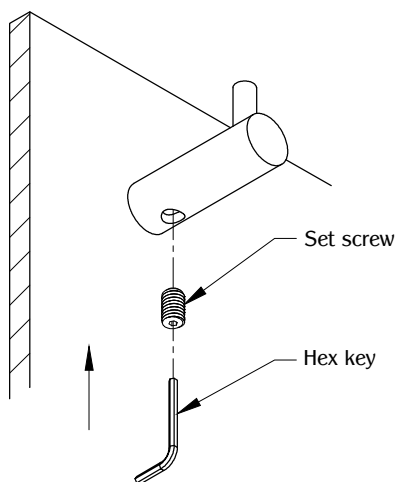
3



Use the wood screw to secure the mounting bracket on the work surface. Make sure the bracket is fully leveled on the surface.

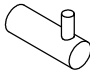


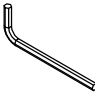


Slide in HK2A onto the mounting bracket.

4



Secure the part with the provided set screw and hex key.

TABLE OF CONTENTS:

	2X HK2A
	2X Mounting bracket
	2X 2" #10 Wood screw
	2X Hex key
	2X Set screw
	2X HK-ANCHOR