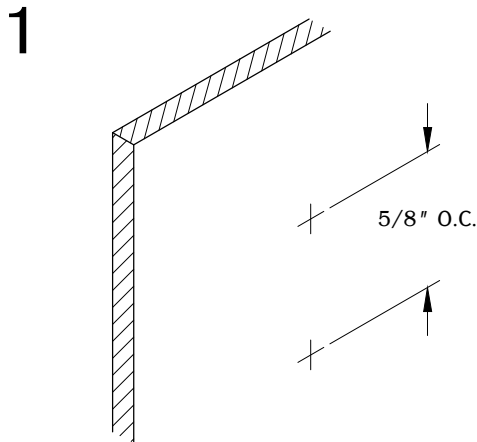


NOTE:

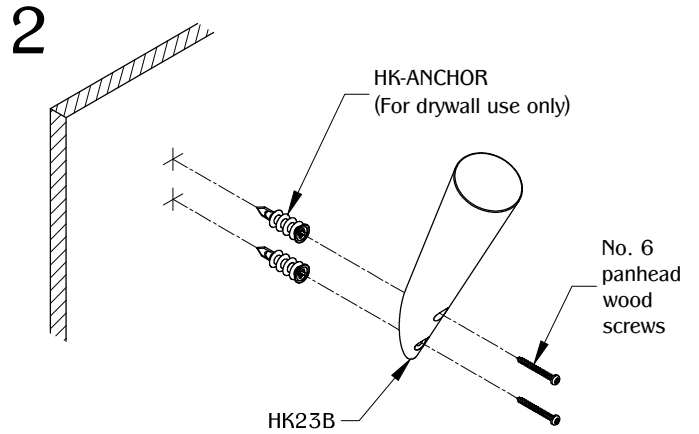
- Weight capacity is 20 lbs.

FRONT VIEW

RIGHT VIEW

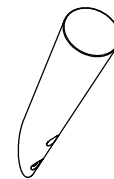


Determine the position and location of the part on the work surface. Mark the mounting positions for the mounting hardware.



Use (2) No. 6 panhead wood screws to secure the part onto the work surface. Make sure the part is fully leveled on the work surface.

TABLE OF CONTENTS:



.....1X HK23B



.....2X HK-ANCHOR



.....2X 1-1/4"
No. 6 Panhead wood screws