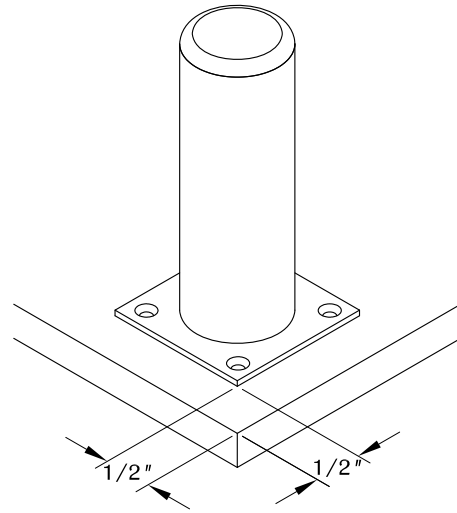


1

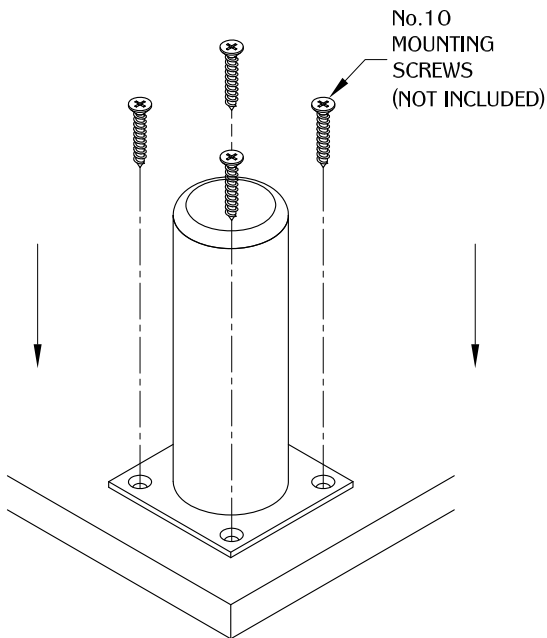


NOTE:

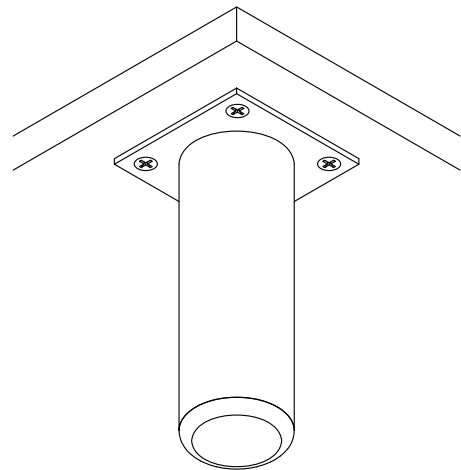
- Weight capacity is 150 lbs per leg.

Determine the position and location of the part under the work surface. Allow 1/2" clearance at the edge of the work surface.

2



3



Secure the part using (4) mounting screws. (Note: Use appropriate screws and screw length depending on the table type and thickness.)