

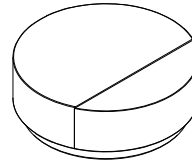
DS23

PROPRIETARY AND CONFIDENTIAL.
ALL DIMENSIONS HAVE A +/- 1/32" TOLERANCE UNLESS OTHERWISE SPECIFIED. WE DO NOT RECOMMEND DRILLING OR CUTTING ANY HOLES BEFORE RECEIVING A PRODUCT OR A PRODUCT SAMPLE.

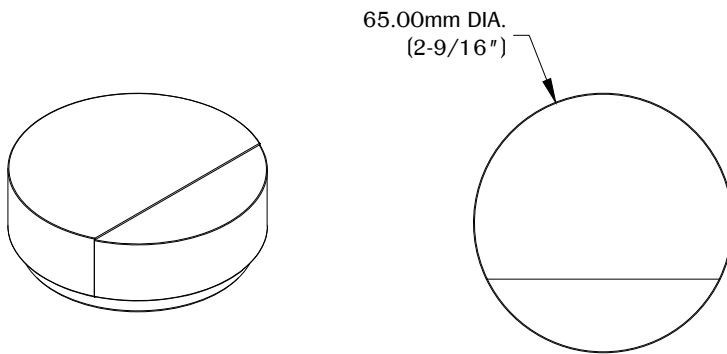
⚠ WARNING ⚠

- Prior to any installation please consider, the weight of the door corner and type of floor.
- Use caution if installing on heated floor.
- Do not install door stops within foot traffic area as this may create a tripping hazard.
- Do not use on carpet floors.

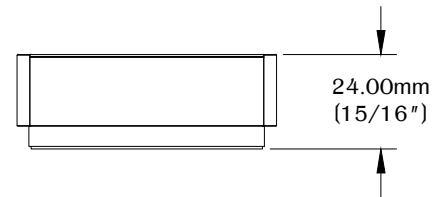
TABLE OF CONTENTS



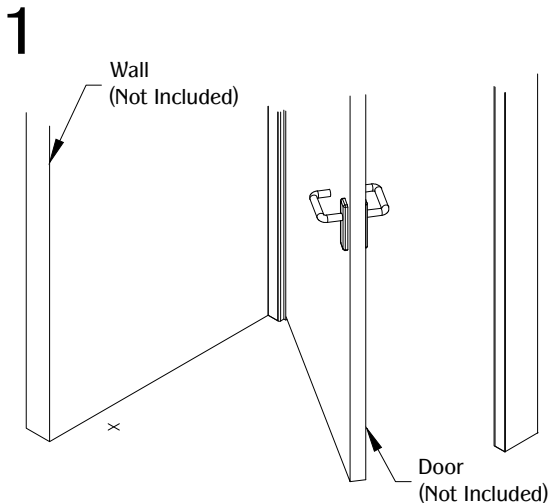
..... 1X DS23



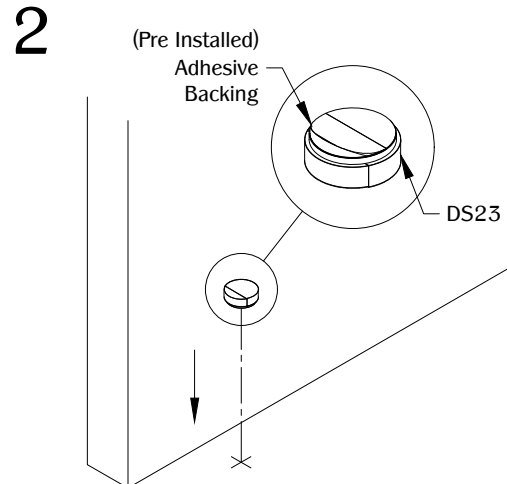
TOP VIEW



FRONT VIEW



Determine the position and location on the floor. Mark the mounting position.



Flip DS23 upside down and peel off the pre installed adhesive backing. Install by aligning DS23 to marked position. Press down for a few seconds to ensure door stop is secure.