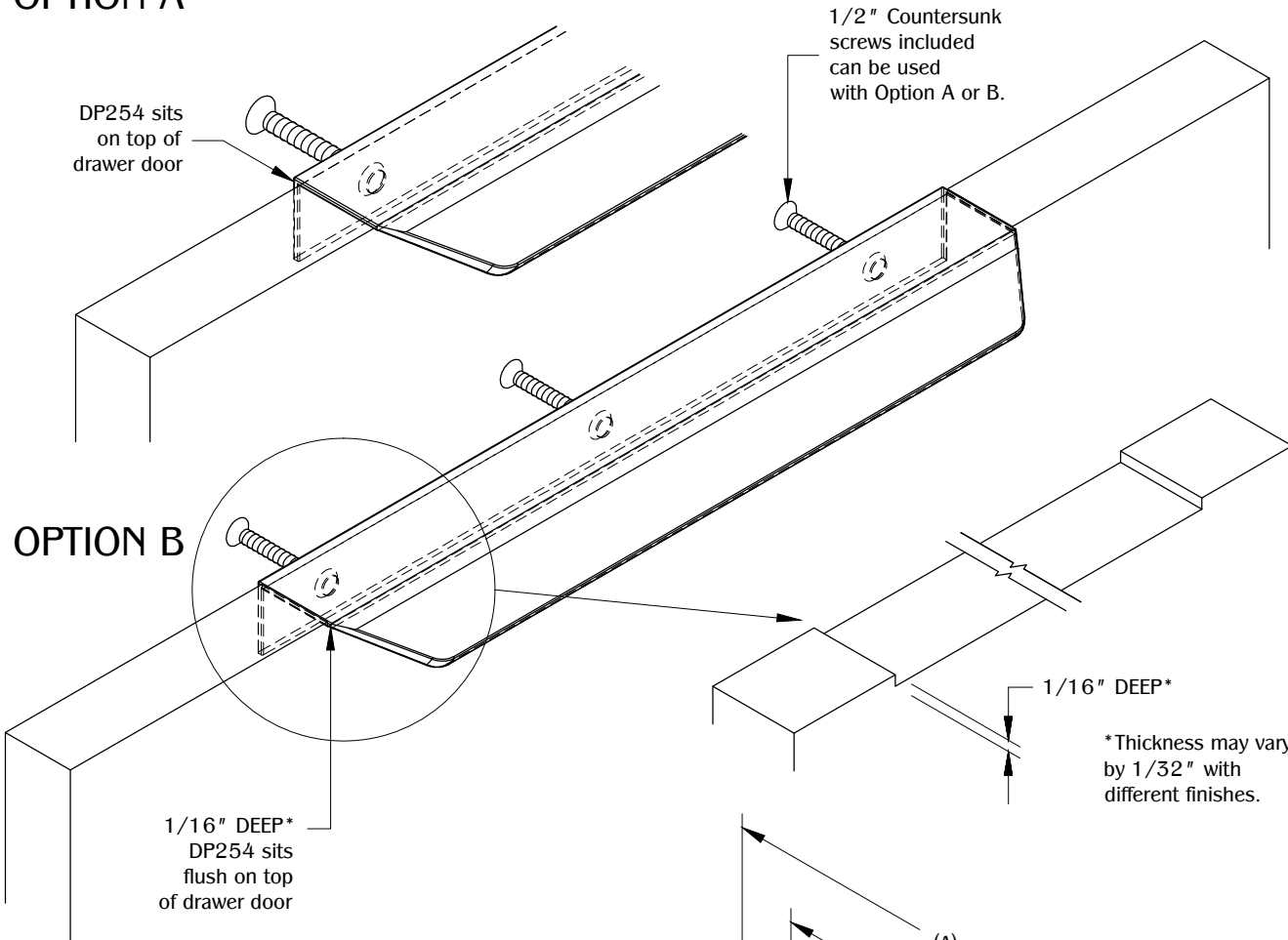


PART #

DP254

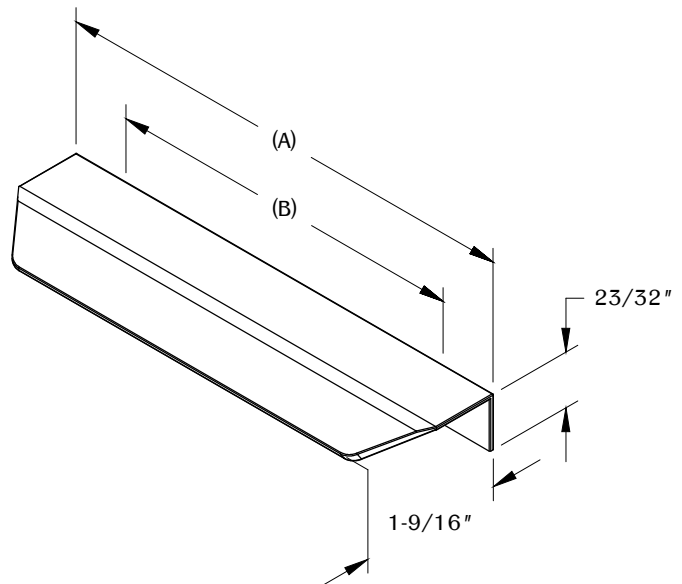
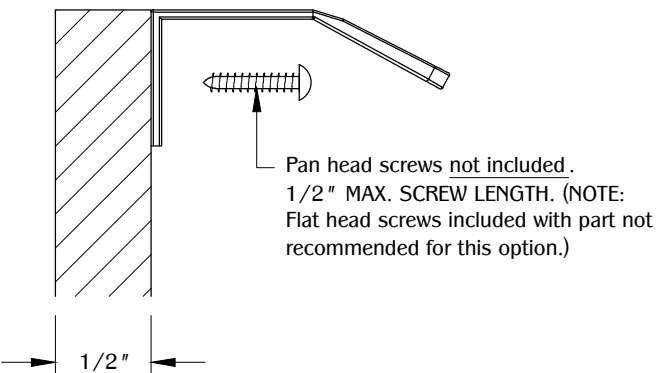
310.318.2491 • 800.523.1269 • www.mockett.com

OPTION A



OPTION B

OPTION C



NOTE:

All dimensions have a + / - 1/32" tolerance. we do not recommend drilling or cutting any holes before receiving a product or a product sample.

	(A)	(B) O.C.	Mounting Holes
DP254A	60.00mm (2-3/8")	20.00mm (25/32")	2
DP254B	200.00mm (7-7/8")	80.00mm (3-5/32")	3
DP254C	350.00mm (13-25/32")	160.00mm (6-5/16")	3