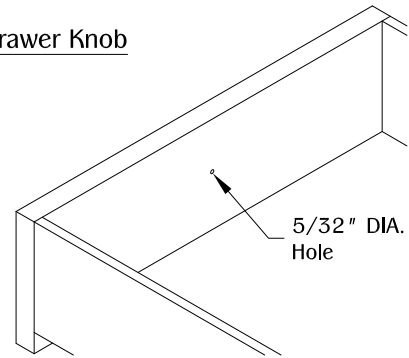


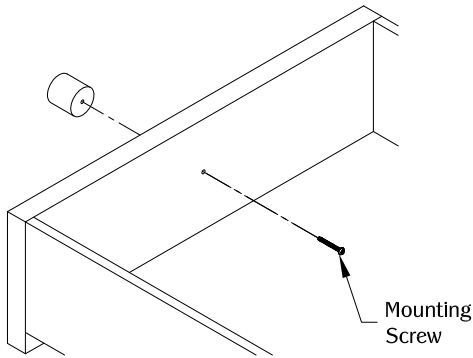
PART#	(A)	(B)	Weight Capacity
DP2	7/8"	7/8"	7 lbs.
DP2A	1-1/8"	1-1/8"	10 lbs.

1a Drawer Knob



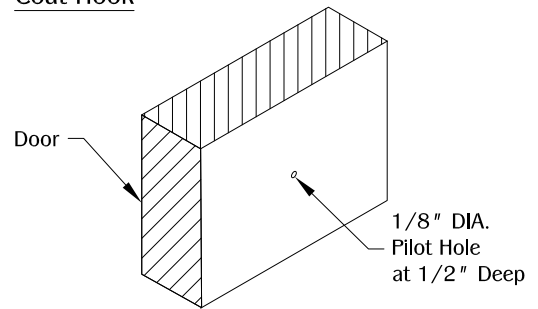
Determine the position and location of the part on the work surface. Mark the mounting position and drill the hole for the mounting hardware.

2a



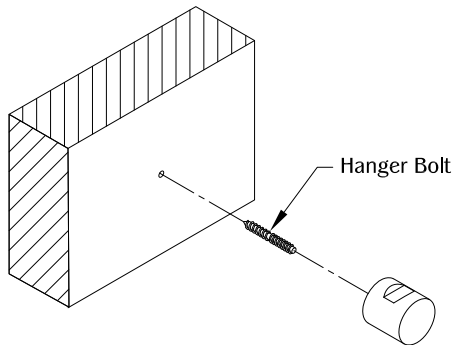
Use the mounting screw to secure the part to the work surface. Make sure the part is fully level on the work surface.

1b Coat Hook



Determine the position and location of the part on the work surface. Mark the mounting position and drill the pilot hole for the mounting hardware. (NOTE: Do not drill through the door.)

2b

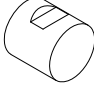




Use the hanger bolt to secure the part to the work surface. Make sure the part is fully level on the work surface.

NOTE:

- All dimensions have a + / - 1/16" tolerance. We do not recommend drilling or cutting any holes before receiving a product or a product sample.
- Recommend installing into solid wood door for coat hook installation.

TABLE OF CONTENTS:

 1X Drawer Knob
 1X 1" 8-32 Thread Machine Screw
 1X 15/16" No.8 at 1/2" 8-32 Thread at 7/16" Hanger Bolt