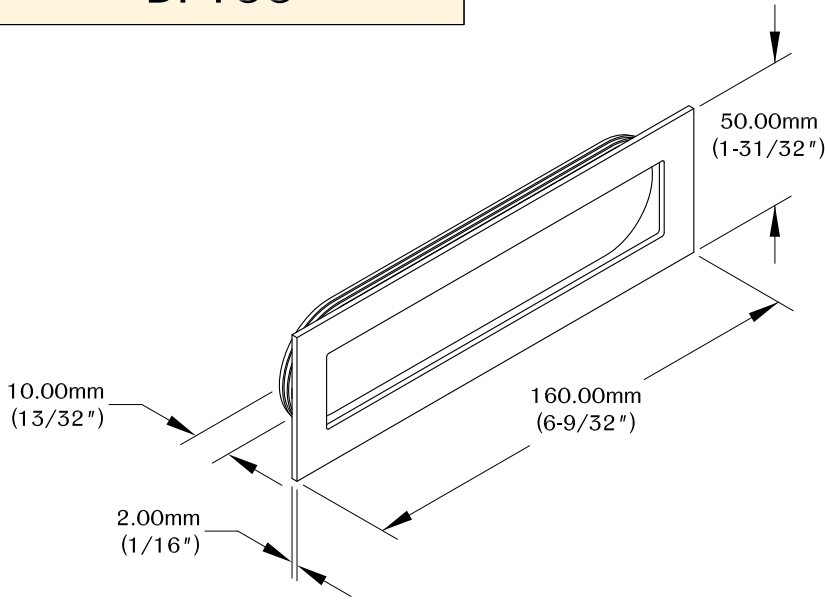


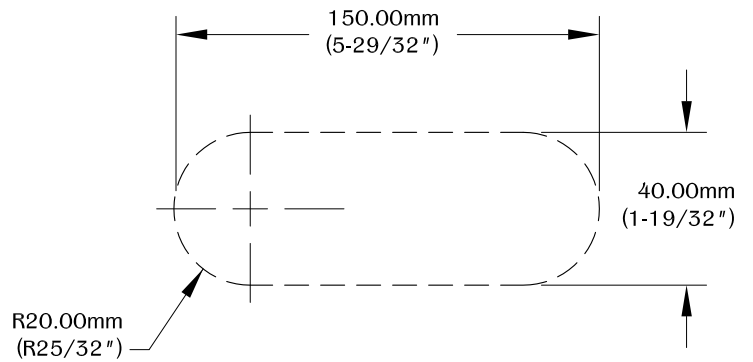
PART #

DP138

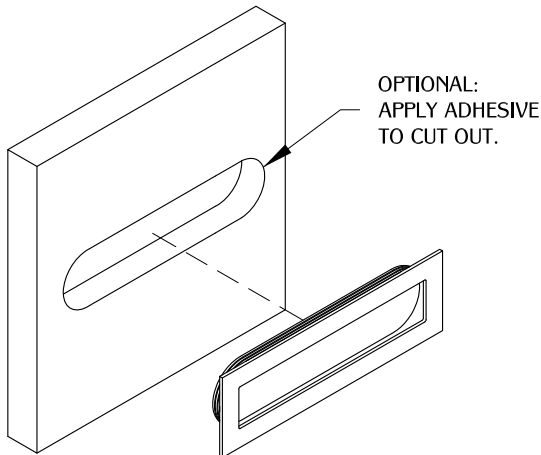
310.318.2491 • 800.523.1269 • www.mockett.com



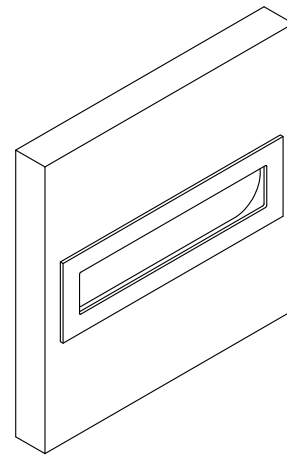
### 1 CUT OUT DIMENSIONS:



### 2



### 3



NOTE:  
ALL DIMENSIONS HAVE A  $\pm 1/32$ " TOLERANCE.  
WE DO NOT RECOMMEND DRILLING OR CUTTING ANY  
HOLES BEFORE RECEIVING A PRODUCT OR A PRODUCT  
SAMPLE.

#### TABLE OF CONTENTS:

	..... 1x DP138
---	----------------