

PROPRIETARY AND CONFIDENTIAL. All dimensions have a (+/-) 1/16" tolerance unless otherwise specified. We do not recommend drilling or cutting any holes before receiving a product or a product sample.

WARNING

- Read the installation instructions before drilling or tapping the work surface.
- Allow enough clearance for part operation.
- Do not use abrasive cleaner or chemical solvents to clean the part.

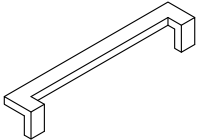
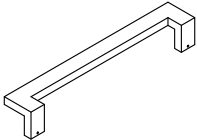






SPECIFICATIONS

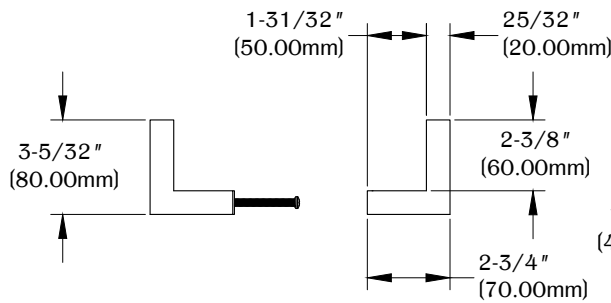
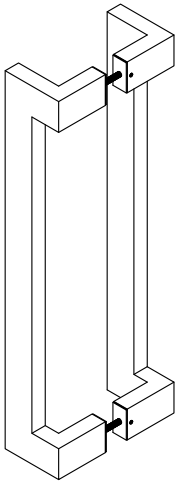
- Recommended door thickness is 1/2" (12.50mm) MIN. to 2" (51.00mm) MAX.
- Recommended door hole size is 13/32" DIA. (10.00mm).
- Recommended backset for a wooden door is 2-3/8" (60.00mm) MIN. to 3" (76.00mm) MAX.
- Recommended backset for a tempered glass door is 3" (76.00mm) MIN.

MAINTENANCE AND CARE

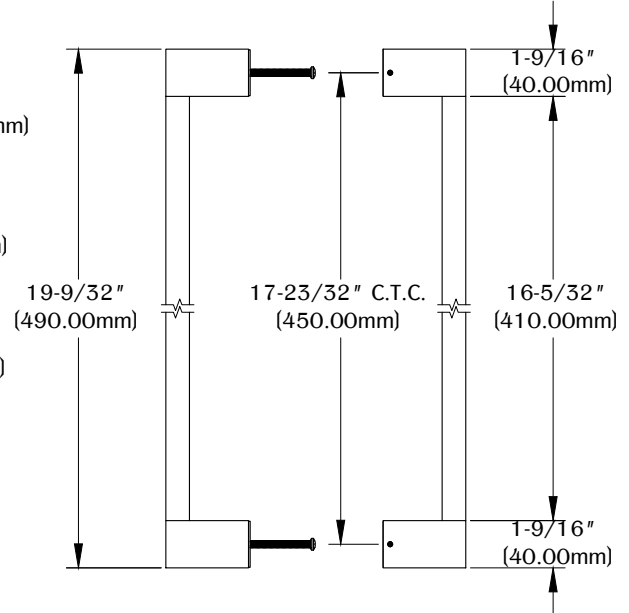
- Recommended to use a damp soft cloth with warm water and gently dabbing affected areas for general cleaning and care.
- Recommended to apply soap in moderation with a damp soft cloth and warm water for heavily affected areas.

TABLE OF CONTENTS

 1X DH12 Threaded Side
 1X DH12 Set Screw Side
 4X 39.00mm X 20.00mm Clear Plastic Washer
 2X Threaded Brass Collars
 4X M5 X 0.8 X 6.00mm Set Screw
 2X 9.00mm DIA. X 10.00mm Nylon Spacer
 2X M6 X 1.0 X 70.00mm Pan Head Screw
 1X 2.50mm Hex Key

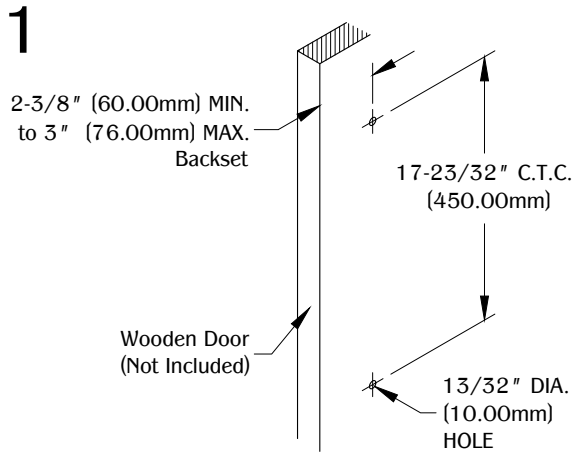


TOP VIEW

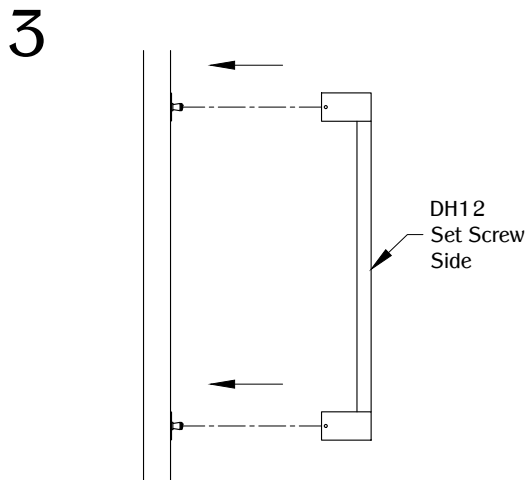


FRONT VIEW

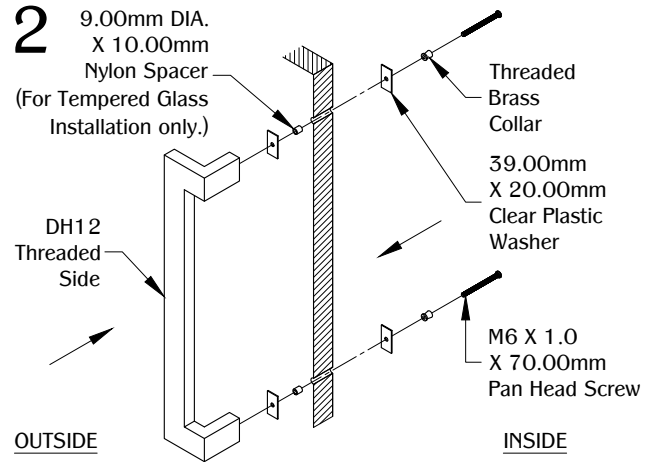
PROPRIETARY AND CONFIDENTIAL. All dimensions have a (+/-) 1/16" tolerance unless otherwise specified. We do not recommend drilling or cutting any holes before receiving a product or a product sample.



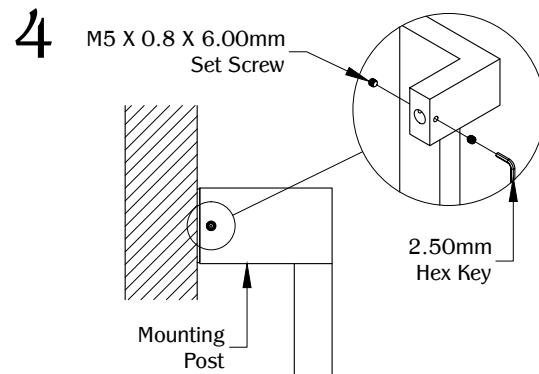
Determine the position and location of the DH12 from the edge of the door. Mark the center to center. Drill a 13/32" (10.00mm) diameter hole. (NOTE: Door not included. For tempered glass installation, backset is 3" (76.00mm) MIN.)



Align the DH12 set screw side to the threaded brass collars. Make sure it is fully level onto the work surface.



Assemble the DH12 threaded side from the outside with (2) M6 X 1.0 X 70.00mm pan head screw, (4) 39.00mm X 20.00mm clear plastic washer and (2) threaded collars into the mounting holes. (NOTE: Reference the image above.)



Secure the DH12 set screw side by using the 2.50mm hex key to tighten the (4) M5 X 0.8 X 6.00mm set screw located at the mounting posts. Tighten down both set screws evenly to center the part. This requires tightening each set screw 1 revolution at a time, alternating between one screw and the other until both screws bottom out. This allows the handle to be centered.