

PROPRIETARY AND CONFIDENTIAL. All dimensions have a (+/-) 1/16" tolerance unless otherwise specified. We do not recommend drilling or cutting any holes before receiving a product or a product sample.

WARNING

- Read the installation instructions before drilling or tapping the work surface.
- Allow enough clearance for part operation.
- Do not use abrasive cleaner or chemical solvents to clean the part.

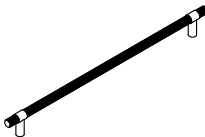
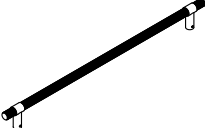







SPECIFICATIONS

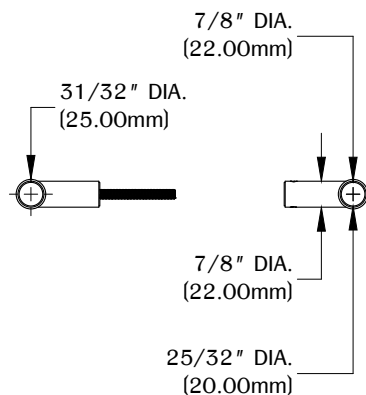
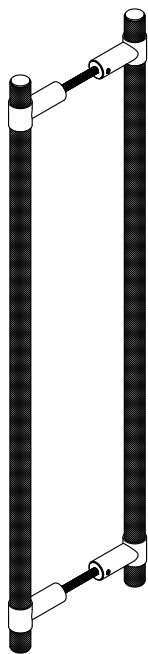
- Recommended door thickness is 1/2" (12.50mm) MIN. to 2" (51.00mm) MAX.
- Recommended door hole size is 1/2" DIA. (12.50mm).
- Recommended backset for a wooden door is 2-3/8" (60.00mm) MIN. to 3" (76.00mm) MAX.
- Recommended backset for a tempered glass door is 3" (76.00mm) MIN.

MAINTENANCE AND CARE

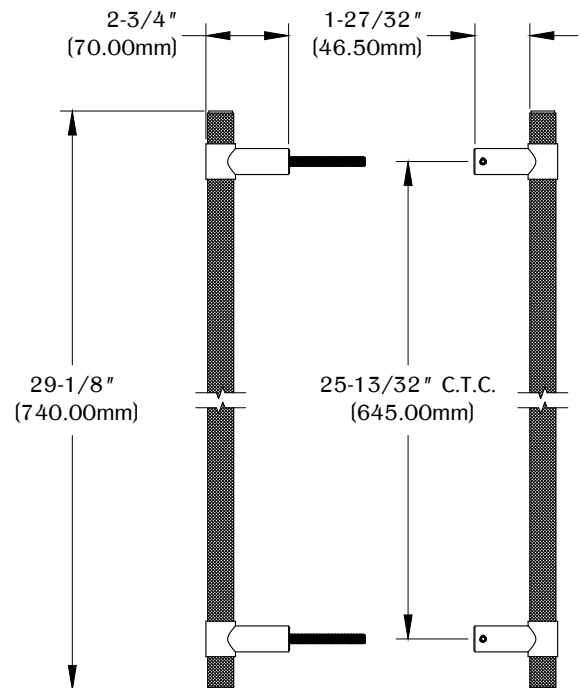
- Recommended to use a damp soft cloth with warm water and gently dabbing affected areas for general cleaning and care.
- Recommended to apply soap in moderation with a damp soft cloth and warm water for heavily affected areas.

TABLE OF CONTENTS

 1X DH10 Threaded Side
 1X DH10 Set Screw Side
 4X 20.00mm DIA. Clear Plastic Washer
 2X Threaded Brass Collars
 4X M6 X 1.0 X 6.00mm Set Screw
 2X 12.00mm DIA. X 10.00mm Nylon Spacer
 2X M8 X 1.25 X 75.00mm Set Screw
 1X 4.00mm Hex Key
 1X 3.00mm Hex Key

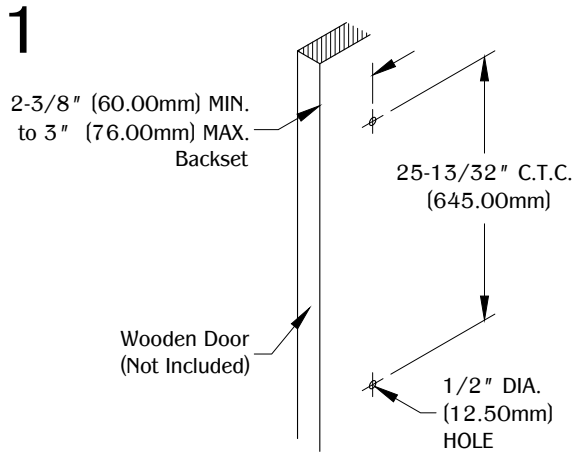


TOP VIEW

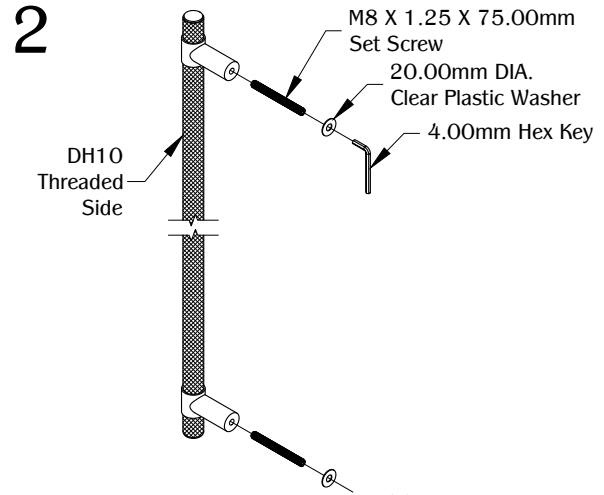


FRONT VIEW

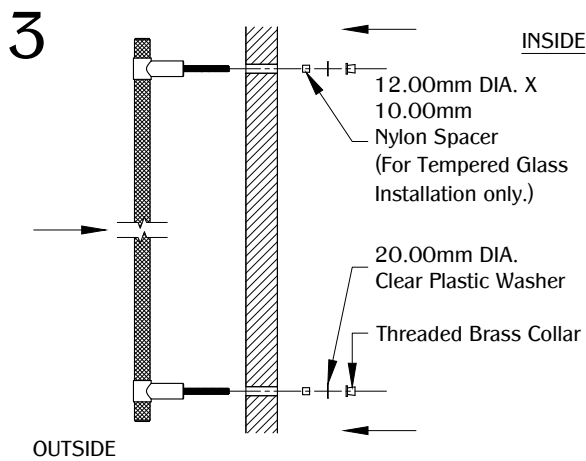
PROPRIETARY AND CONFIDENTIAL. All dimensions have a (+/-) 1/16" tolerance unless otherwise specified. We do not recommend drilling or cutting any holes before receiving a product or a product sample.



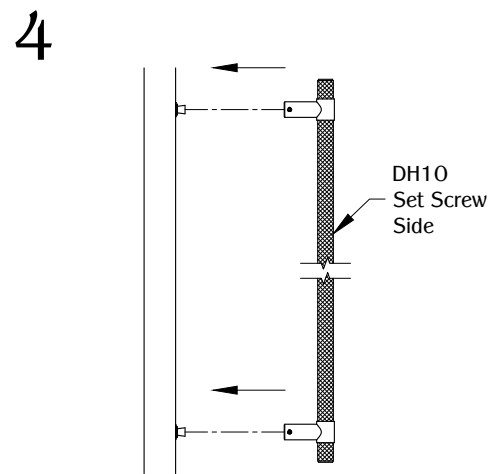
Determine the position and location of the DH10 from the edge of the door. Mark the center to center. Drill a 1/2" (12.50mm) diameter hole. (NOTE: Door not included. For tempered glass installation, backset is 3" (76.00mm) MIN.)



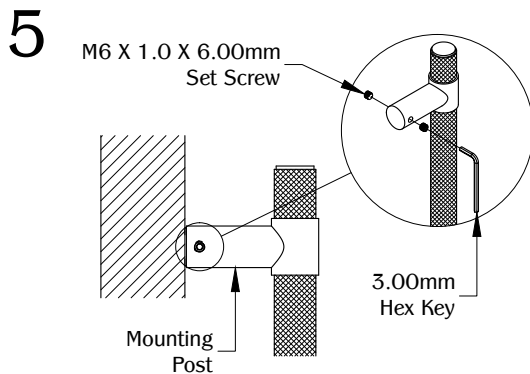
Assemble the DH10 threaded side and (2) M8 X 1.25 X 75.00mm set screw with the (2) 20.00mm diameter clear plastic washer.



Align and install the assembled DH10 threaded side into the mounting holes from the outside of the door. Use the (2) clear plastic washer and (2) threaded brass collar to secure the part from the other side.



Align the DH10 set screw side to the threaded brass collars. Make sure it is fully level onto the work surface.



Secure the DH10 set screw side by using the 3.00mm hex key to tighten the (4) M6 X 1.0 X 6.00mm set screw located at the mounting posts. Tighten down both set screws evenly to center the part. This requires tightening each set screw 1 revolution at a time, alternating between one screw and the other until both screws bottom out. This allows the handle to be centered.