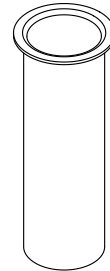


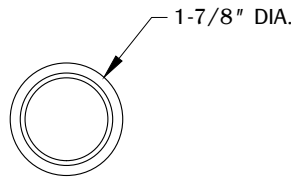
CT1

PROPRIETARY AND CONFIDENTIAL.
ALL DIMENSIONS HAVE A +/- 1/16" TOLERANCE UNLESS OTHERWISE SPECIFIED. WE DO NOT RECOMMEND DRILLING OR CUTTING ANY HOLES BEFORE RECEIVING A PRODUCT OR A PRODUCT SAMPLE.

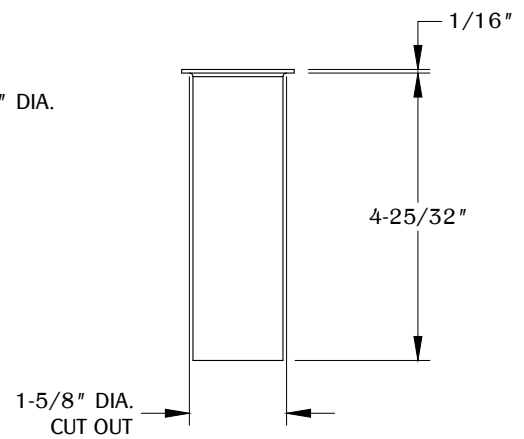
TABLE OF CONTENTS



..... 1X CT1

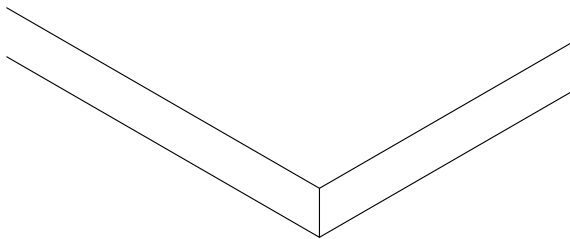
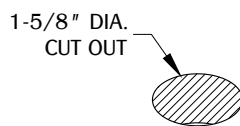


TOP VIEW



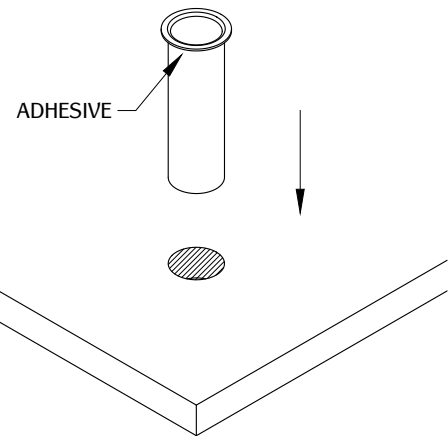
FRONT VIEW

1



Determine the position and location of the part on the work surface. Make a 1-5/8" diameter cut out. Place and allow enough clearance for part function.

2



Apply silicone adhesive on the sleeve for more secure installation. Install the part into the cut out and make sure the part is fully leveled on the work surface.