
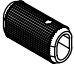






PROPRIETARY AND CONFIDENTIAL. All dimensions have a (+/-) 1/32" tolerance unless otherwise specified. We do not recommend drilling or cutting any holes before receiving a product or a product sample.

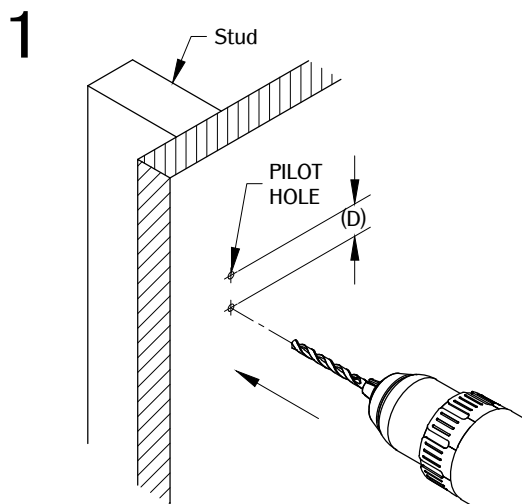
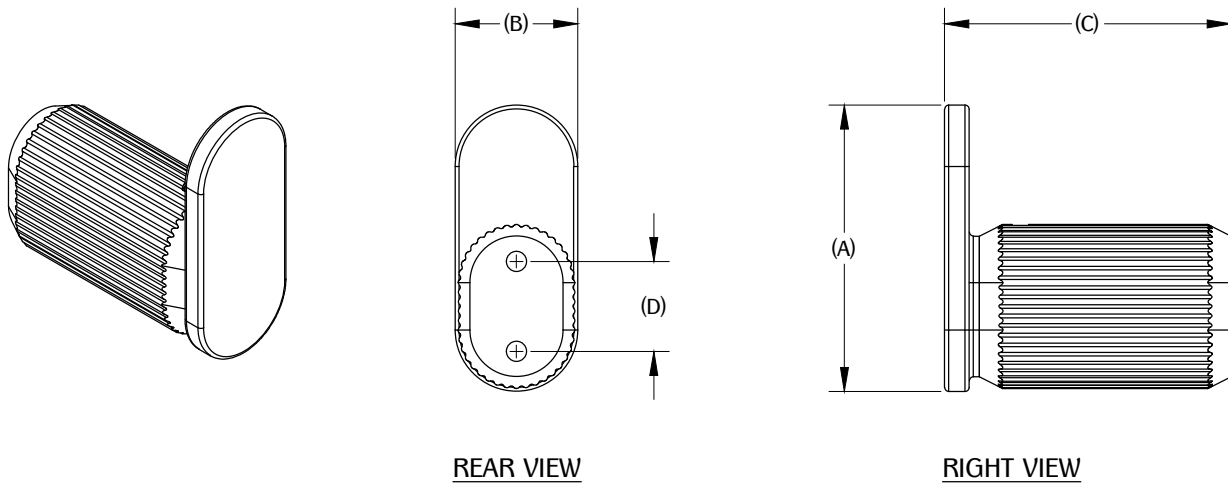
### SPECIFICATIONS

- CH76A: Weight capacity is 5 lbs. installed into drywall with a plastic anchor and 10 lbs. installed into a stud.
- CH76B: Weight capacity is 15 lbs. installed into drywall with plastic anchors and 25 lbs. installed into studs.

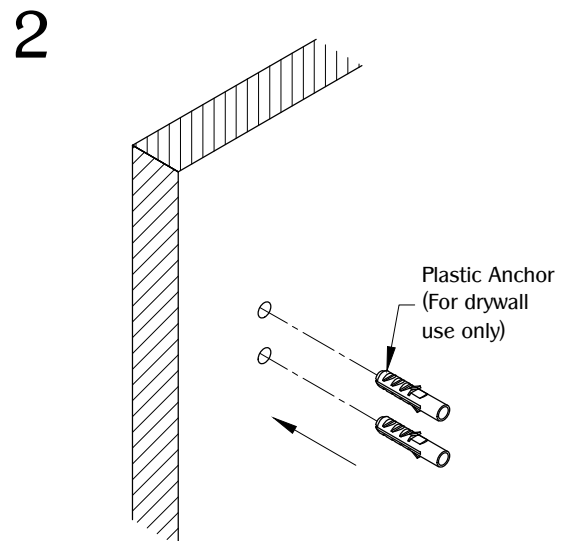
### TABLE OF CONTENTS

	..... 1X CH76 Series
	..... 1X Mounting Base
	..... 1X M5 X 0.8 X 6.00mm Set Screw
	..... 2X 1-9/16" No. 6 Flat Head Wood Screw (Quantity may vary.)
	..... 2X Plastic Anchor (Quantity may vary.)
	..... 1X Hex Key

	(A) LENGTH	(B) WIDTH	(C) PROJECTION	(D) C.T.C.
CH76A	1-3/8" (35.00mm)	19/32" (15.00mm)	1-9/16" (40.00mm)	N/A
CH76B	2-3/4" (70.00mm)	1-3/16" (30.00mm)	2-3/4" (70.00mm)	7/8" (22.00mm)



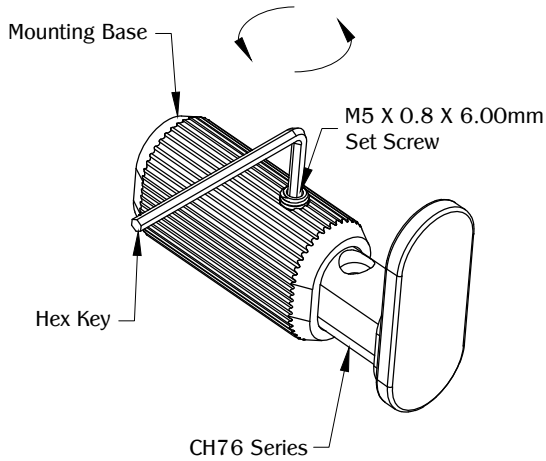
Determine the position and location of the part on the work surface. Mark the mounting position for the mounting hardware and drill a 6.00mm (1/4") DIA. pilot hole(s) for drywall or a 3.00mm (1/8") DIA. pilot hole(s) for stud installation.



Place plastic anchor(s) into the pilot hole(s). Skip this step for stud installation.

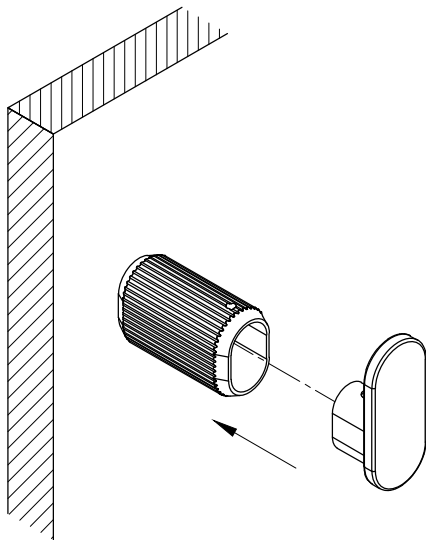
PROPRIETARY AND CONFIDENTIAL. All dimensions have a (+/-) 1/32" tolerance unless otherwise specified. We do not recommend drilling or cutting any holes before receiving a product or a product sample.

### 3



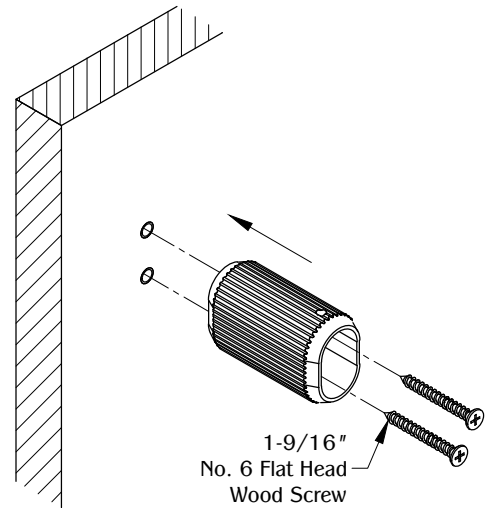
Use hex key to loosen the M5 X 0.8 X 6.00mm set screw. Tilt mounting base down to release CH76.

### 5



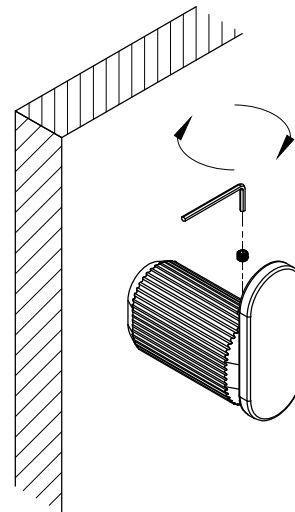
Align CH76 to mounting base.

### 4



Position the mounting base so it aligns with either the pre-drilled pilot hole(s) or the installed plastic anchor(s). Then, use the 1-9/16" No. 6 flat head wood screw(s) to secure it. Make sure the mounting base is level onto the work surface.

### 6



Secure the part using the M5 X 0.8 X 6.00mm set screw and hand-tighten with the hex key.