

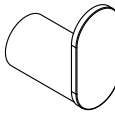




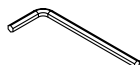
CH75

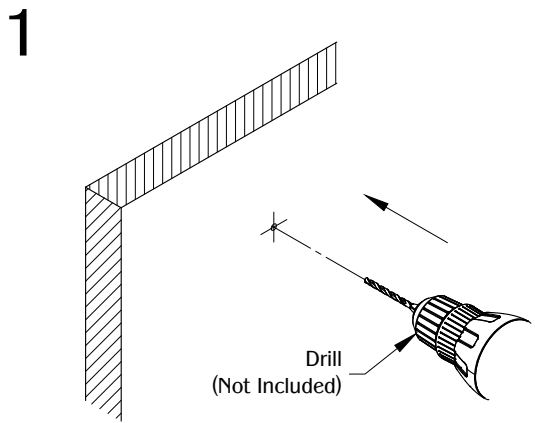
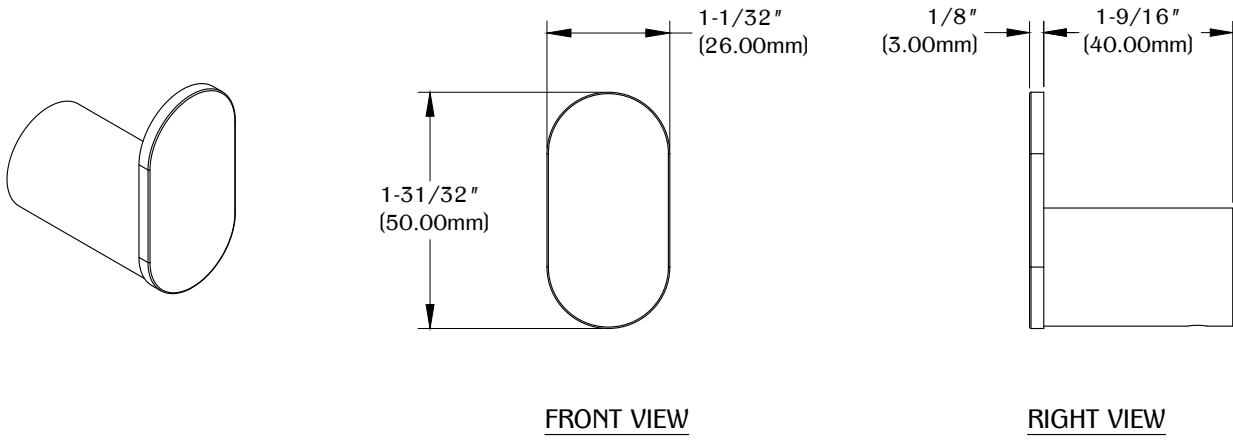
PROPRIETARY AND CONFIDENTIAL.
ALL DIMENSIONS HAVE A +/- 1/32" TOLERANCE UNLESS OTHERWISE SPECIFIED. WE DO NOT RECOMMEND DRILLING OR CUTTING ANY HOLES BEFORE RECEIVING A PRODUCT OR A PRODUCT SAMPLE.

SPECIFICATIONS

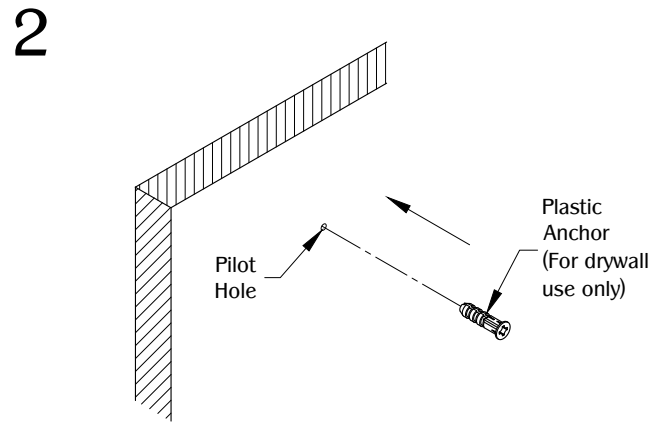
- Weight capacity is 15 lbs. when installed in drywall using a drywall anchor.
- Weight capacity is 30 lbs. when installed into studs.

TABLE OF CONTENTS

 1X CH75
 1X Mounting Base
 1X M5 X 0.8 Set Screw
 2X 1-3/16" No. 6 Flat Head Wood Screw
 2X Plastic Anchor
 1X Hex Key



Determine the position and location of the part on the work surface. Mark the mounting position for the mounting hardware and drill 3/16" diameter pilot hole for drywall installation or 3/32" diameter pilot hole for wood installation.



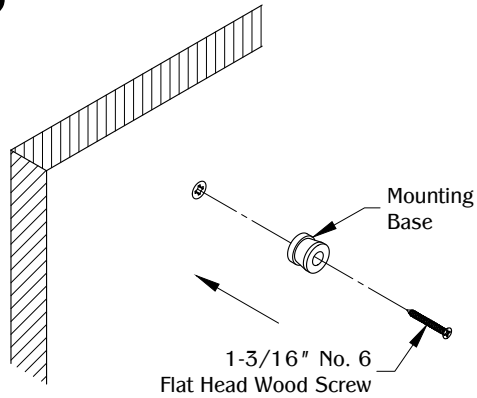
Install the plastic anchor into the pilot hole. (Note: Skip this step for wood installation.)

CH75

PROPRIETARY AND CONFIDENTIAL.

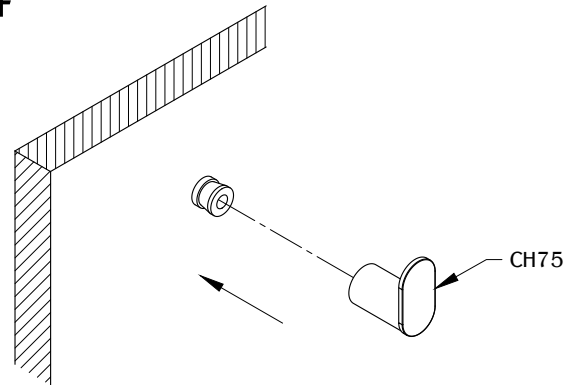
ALL DIMENSIONS HAVE A +/- 1/32" TOLERANCE UNLESS OTHERWISE SPECIFIED. WE DO NOT RECOMMEND DRILLING OR CUTTING ANY HOLES BEFORE RECEIVING A PRODUCT OR A PRODUCT SAMPLE.

3



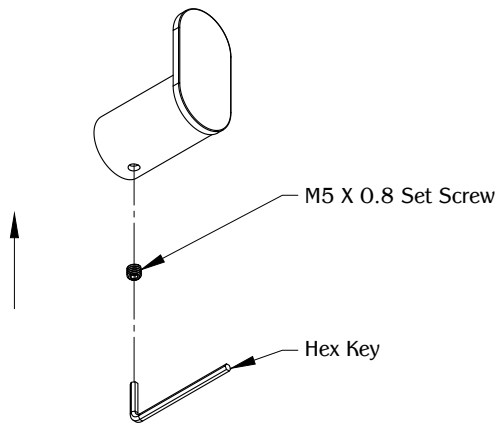
Position the mounting base so it aligns with either the pre-drilled pilot hole or the installed plastic anchor. Then, use a 1-3/16" No. 6 flat head wood screw to secure it. Make sure the mounting base is level onto the work surface.

4



Install the CH75 onto the mounting base, making sure it is level and aligned.

5



To secure the CH75, locate the M5 X 0.8 set screw on the underside and tighten it.