

CH69

PROPRIETARY AND CONFIDENTIAL.
ALL DIMENSIONS HAVE A +/- 1/32" TOLERANCE UNLESS OTHERWISE SPECIFIED. WE DO NOT RECOMMEND DRILLING OR CUTTING ANY HOLES BEFORE RECEIVING A PRODUCT OR A PRODUCT SAMPLE.

SPECIFICATIONS

- Weight capacity is 5 lbs. MAX.
- Recommend installing into stud.

TABLE OF CONTENTS



..... 1X CH69



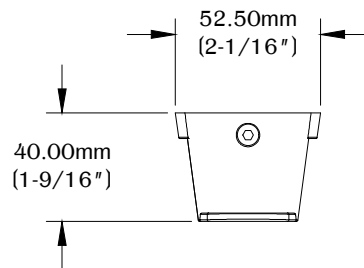
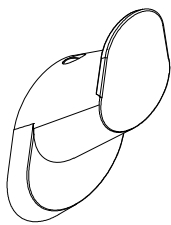
..... 1X Plastic Anchor



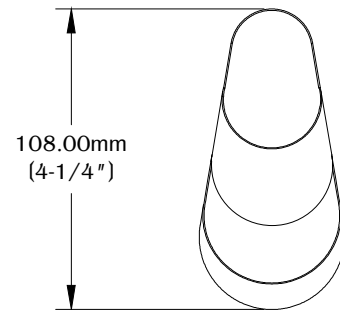
..... 1X Hex Key



..... 1X 1-21/32" No. 7 Wood Screw

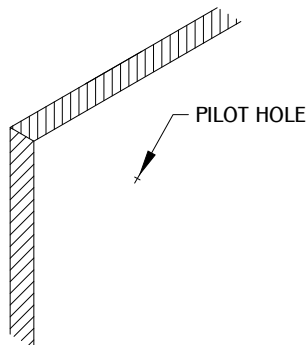


TOP VIEW



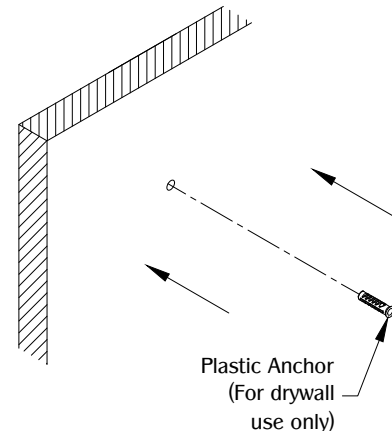
FRONT VIEW

1



Determine the position and location of the part on the work surface. Mark the mounting position for the mounting hardware and drill a 5.00mm (3/16") DIA. pilot hole for drywall or a 2.00mm (3/32") DIA. pilot hole for stud installation.

2

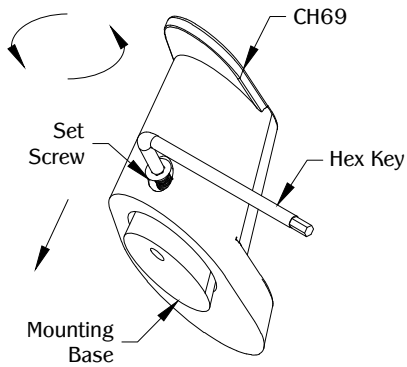


Place plastic anchor into 5.00mm (3/16") diameter pilot hole.

CH69

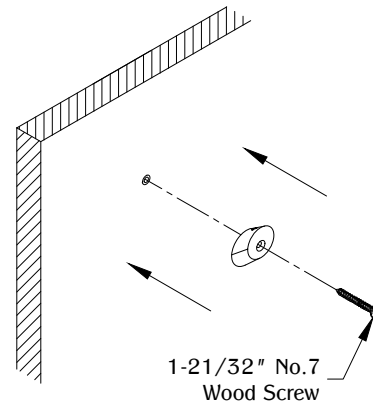
PROPRIETARY AND CONFIDENTIAL.
ALL DIMENSIONS HAVE A +/- 1/32" TOLERANCE UNLESS OTHERWISE SPECIFIED. WE DO NOT RECOMMEND DRILLING OR CUTTING ANY HOLES BEFORE RECEIVING A PRODUCT OR A PRODUCT SAMPLE.

3



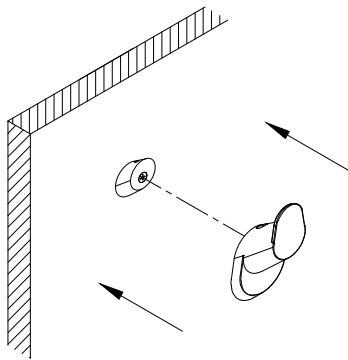
Use hex key to loosen set screw. Tilt CH69 down to release mounting base.

4



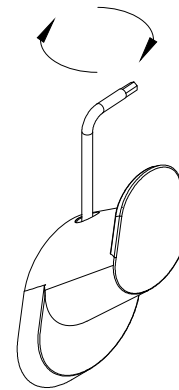
Use a 1-21/32" No. 7 wood screw to secure mounting base to work surface.

5



Install CH69 to mounting base.

6



Secure the part using set screw and hand-tighten with the hex key.