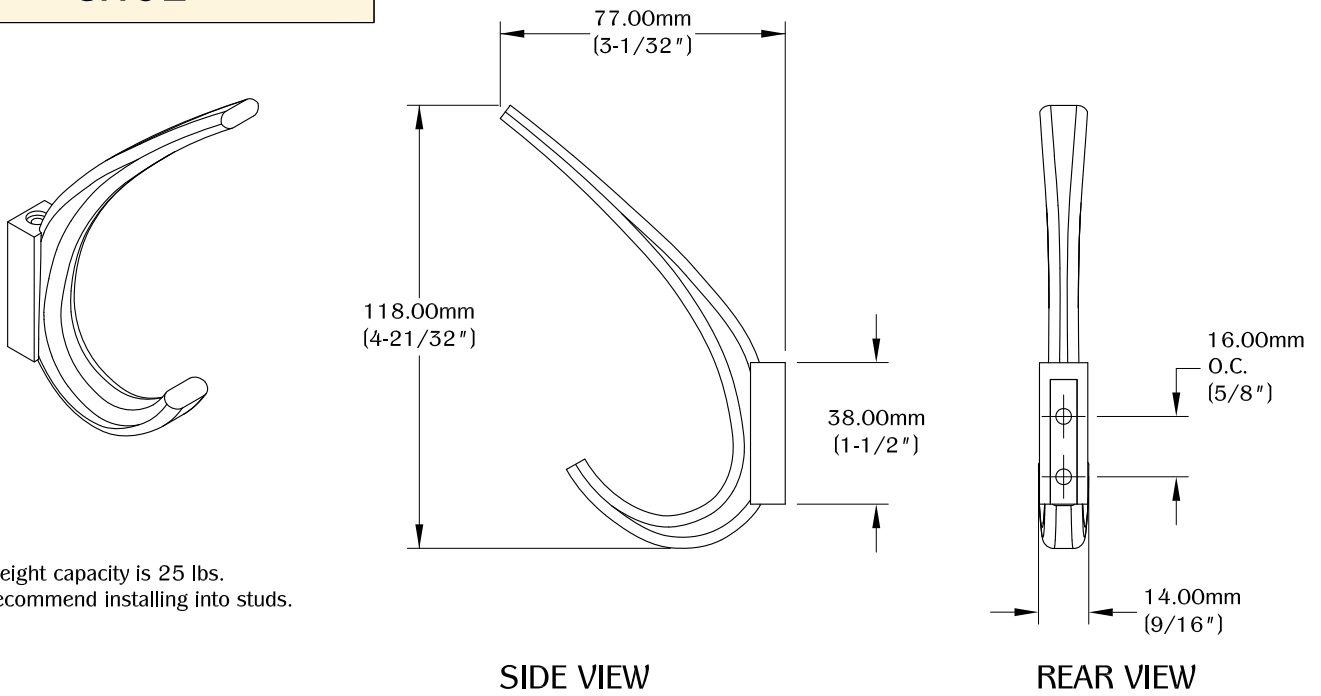


PART #

CH62

310.318.2491 • 800.523.1269 • www.mockett.com



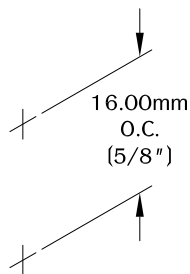
NOTE:

- Weight capacity is 25 lbs.
- Recommend installing into studs.

SIDE VIEW

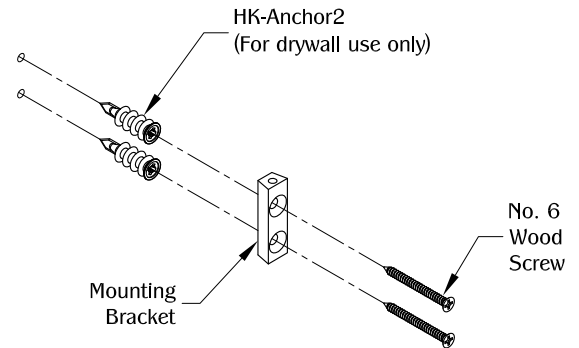
REAR VIEW

1



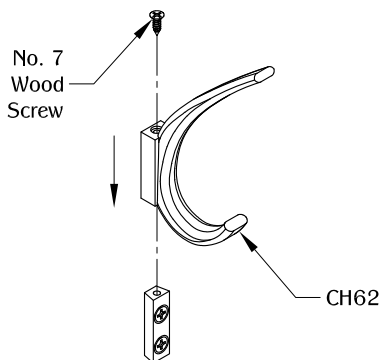
Determine the position and location of the part on the work surface. Mark the mounting positions for the mounting hardware.

2



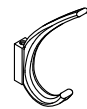
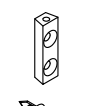



Use (2) screws to secure the mounting bracket on the work surface. Make sure the bracket is fully level on the work surface.

3



Attach hook to mounting bracket by aligning and sliding the hook down onto the top of the mounting bracket. Secure hook to mounting bracket by using the included self-tapping wood screw.

TABLE OF CONTENTS:

	.....1X CH62
	.....1X Mounting Bracket
	.....2X HK-ANCHOR2
	.....2X 1-1/2" No. 6 Wood Screw
	.....1X 1/2" No. 7 Wood Screw