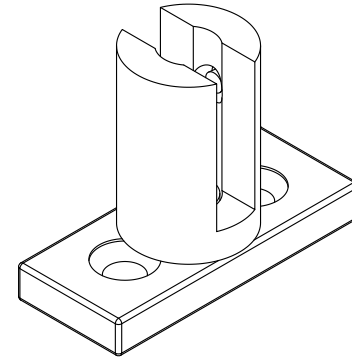
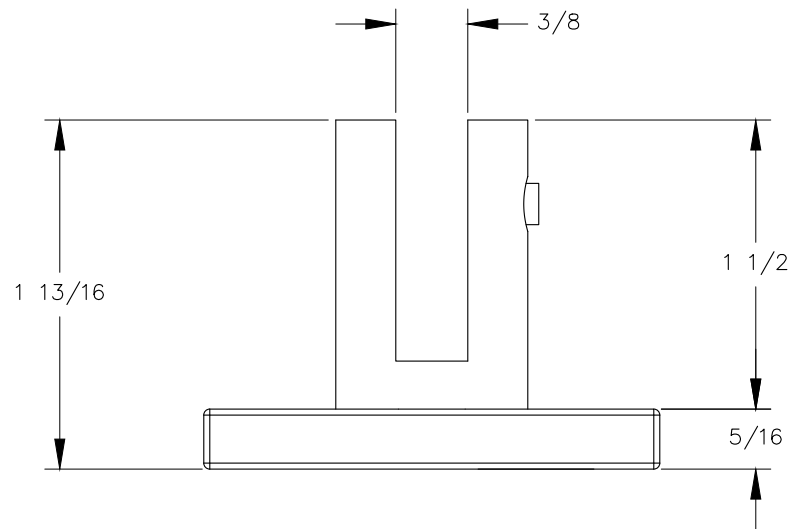


TOP VIEW

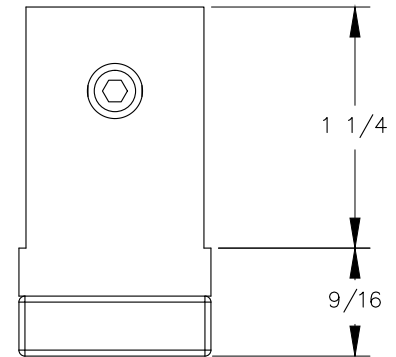


NOTE:

1. Panel thickness is 3/8 MAX.
2. Panel height is 18 MAX.



FRONT VIEW



RIGHT VIEW