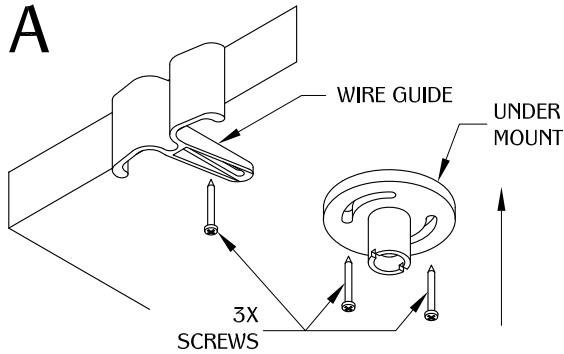
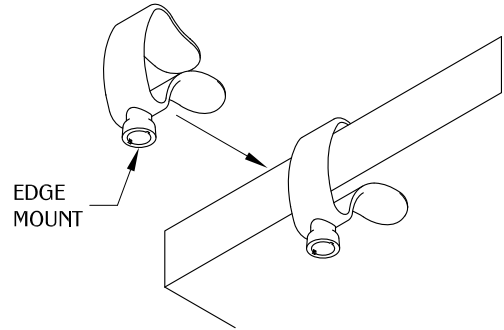


## 1A



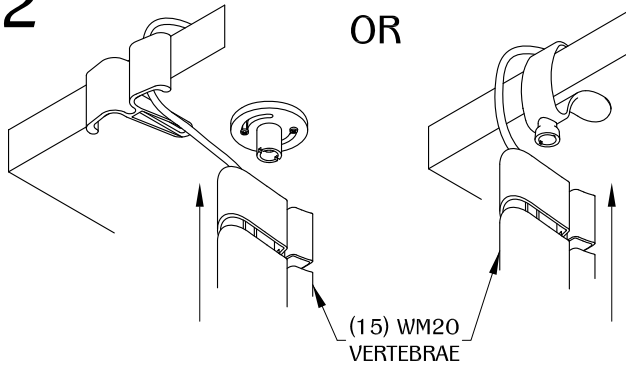
If using the under mount and wire guide, determine the position and location of each part on the designated work surface. Use (2) screws to secure the under mount and (1) screw to secure the wire guide. After task is completed, proceed to step 2.

## 1B



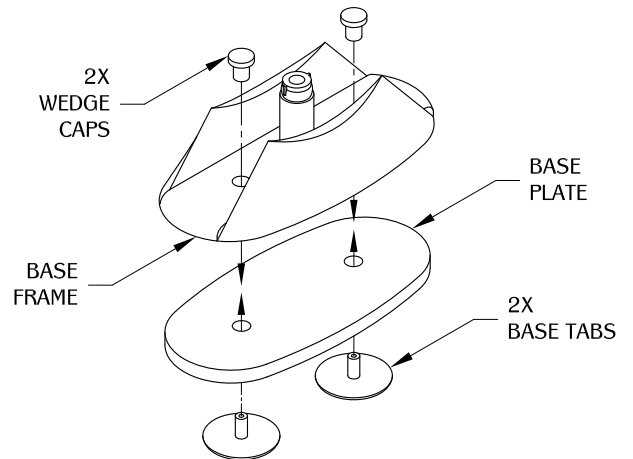
If using the edge mount, determine the position and location of the part. The minimum to maximum work surface thickness required for the edge mount is 1/2 to 1-1/2 inches. After task is completed, proceed to step 2.

## 2



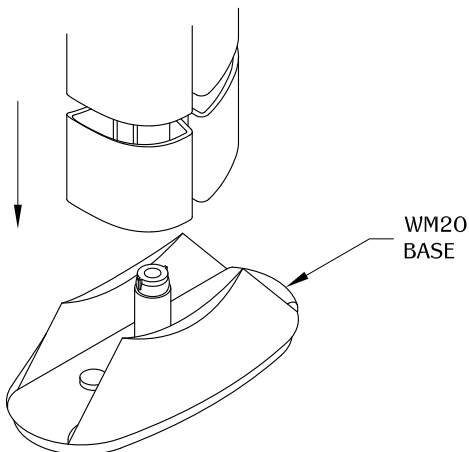
Connect (15) vertebrae to the mounting option you have chosen to install and proceed to step 3.

## 3








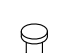



Assemble the (2) wedge caps, base frame, base plate, and (2) base tabs as shown in the above illustration. Press the parts together until the wedge caps and base tabs connect with one another. Once completed, proceed to step 4.

## 4



Connect the vertebrae to the base, which will complete the installation process.

### TABLE OF CONTENTS:

	..... 1 X UNDER MOUNT		..... 1 X EDGE MOUNT
	..... 1 X WIRE GUIDE		..... 2 X BASE TABS
	..... 15 X WM20 VERTEBRAE		..... 2 X WEDGE CAPS
	..... 1 X BASE FRAME		... 3 X WOOD SCREWS
	..... 1 X BASE PLATE		