

PART #

SDH1/B

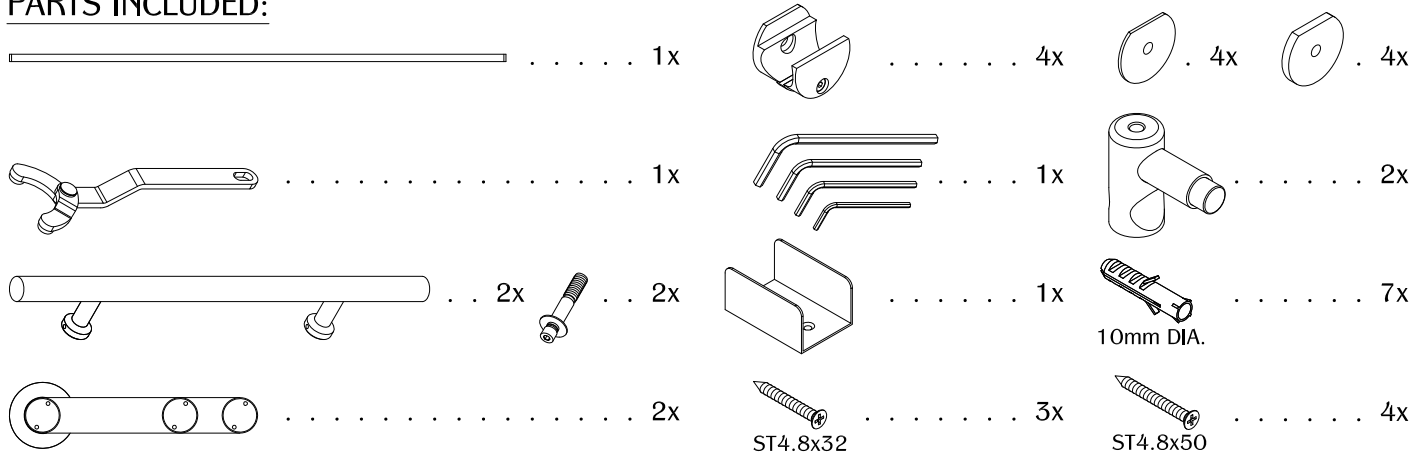
310.318.2491 • 800.523.1269 • www.mockett.com

Before starting your installation, please review this installation sheet in its entirety.

Many measurements are dependent on your type of installation. We suggest you fully unpack your hardware and lay out your assembly before you start drilling or cutting.

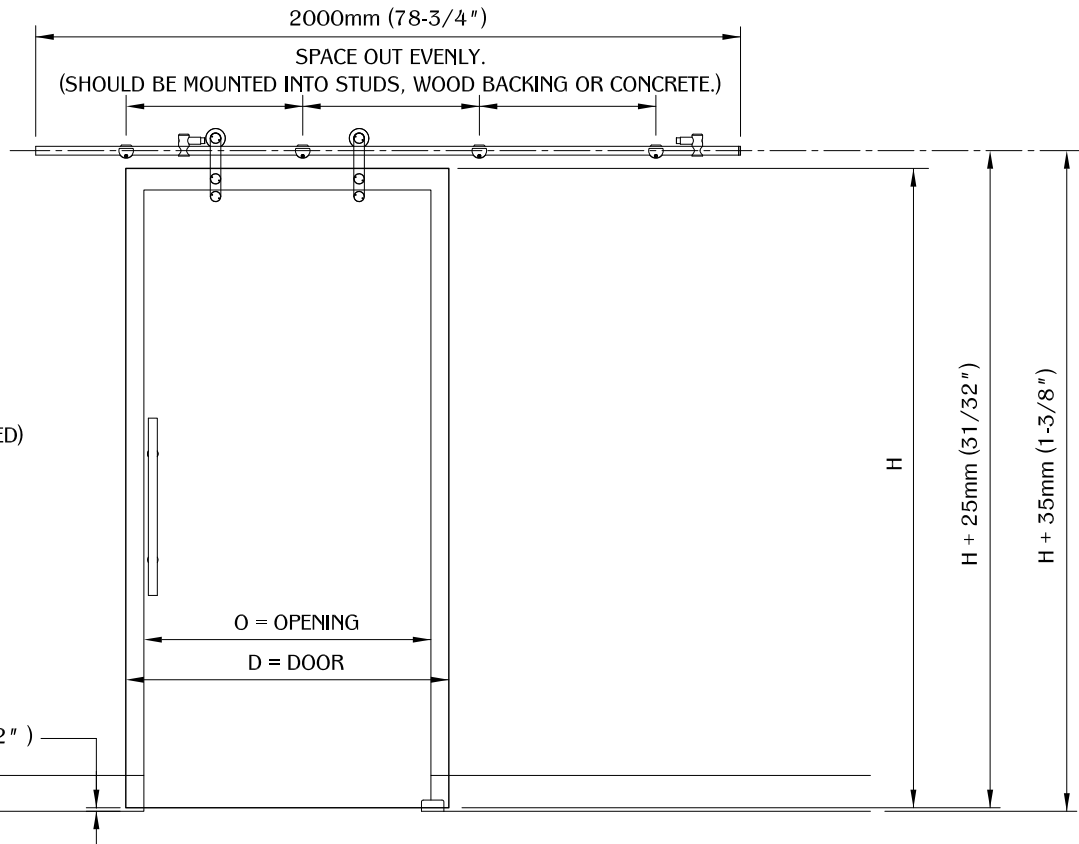
Note that the hardware included can be applied with left or right orientation to slide in either direction. Determine which direction the door will open, then apply the door hardware accordingly on either the left or right side of the door and install the wall-mounted hardware to extend out beyond the door frame in the direction that the door will be opening.

PARTS INCLUDED:



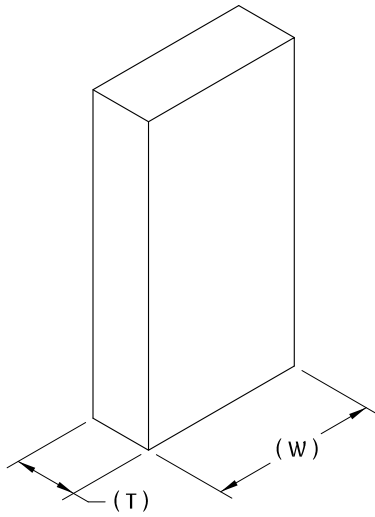
TOOLS NEEDED:

- TAPE MEASURE
- SCREWDRIVER (PHILLIPS)
- DRILL
- LEVEL GUIDE
- PENCIL
- 10mm DIA. DRILLBIT



NOTES:
 RECOMMENDED DOOR SIZE
 $D = O + 4$
 44" MAXIMUM OPENING
 (SHOWN WITH DOOR CLOSED)

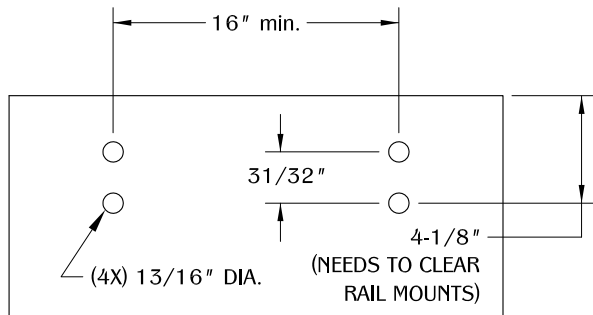
1 PREPARING THE DOOR



For the SDH1, use a door with the following dimensions:

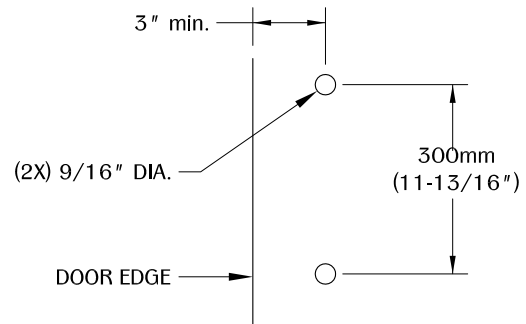
- (W) Width : 30" min. 44" max.
- (T) Thickness : 1-5/8"
- Weight : 150 lbs. max.

2 DRILL HOLES FOR BRACKETS



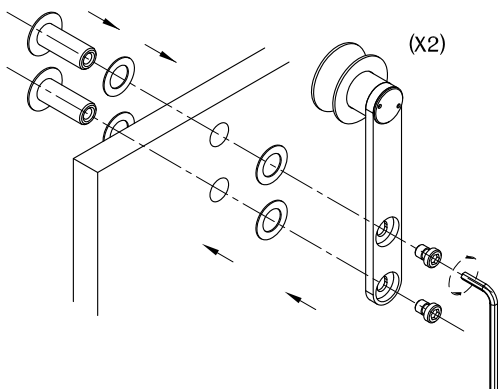
Keep brackets at least 16" apart. Brackets may be installed further apart, but keep them at least 6" from edge of the door.

3 DRILL HOLES FOR DOOR HANDLES



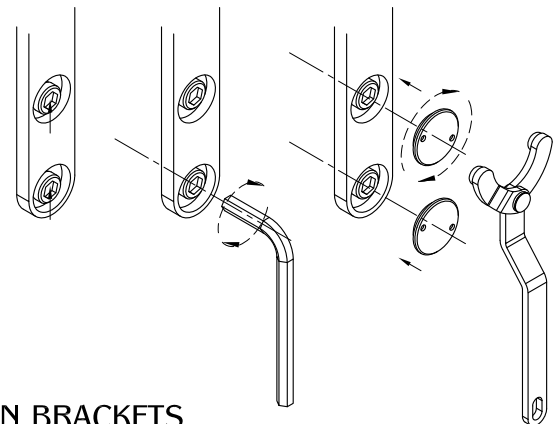
Decide if door slides left or right and install door handle accordingly.

4 MOUNT BRACKETS

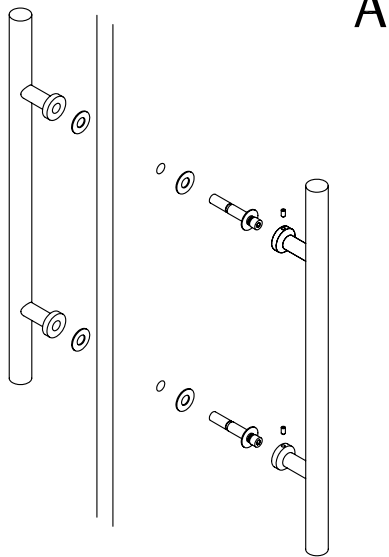


5

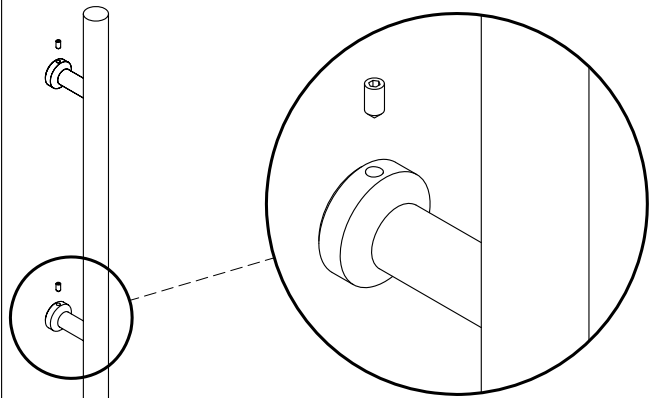
TIGHTEN BRACKETS



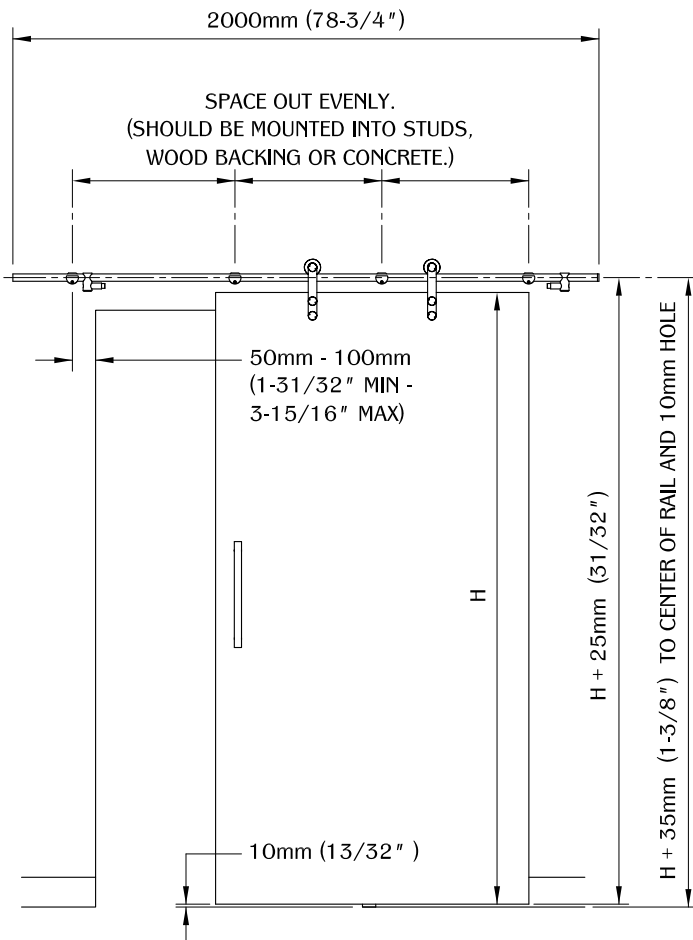
6 INSTALL DOOR HANDLES



B

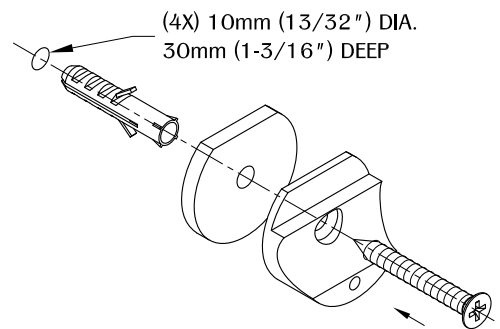


7 INSTALLATION OF RAIL BAR

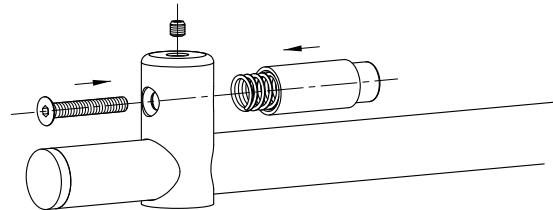


Lay out your bar accordingly and drill the holes for the rail. Rail brackets must be installed into studs, wood backing or concrete. Do not install rail brackets into dry wall only!

8 INSTALL FIRST HALF OF BRACKET

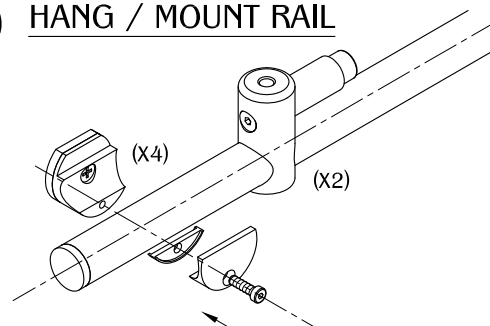


9 DOOR STOPS

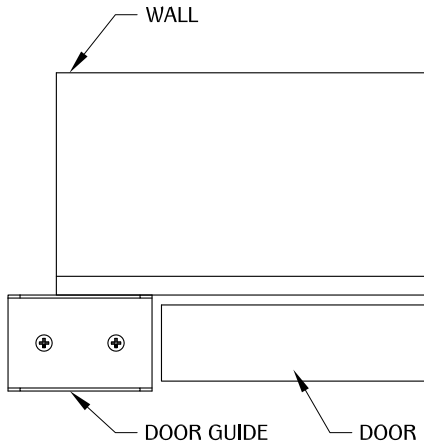


Before you hang the rail, determine the position of the door stops. You will want to make sure the door can fully open and close.
DO NOT TIGHTEN YET!

10 HANG / MOUNT RAIL

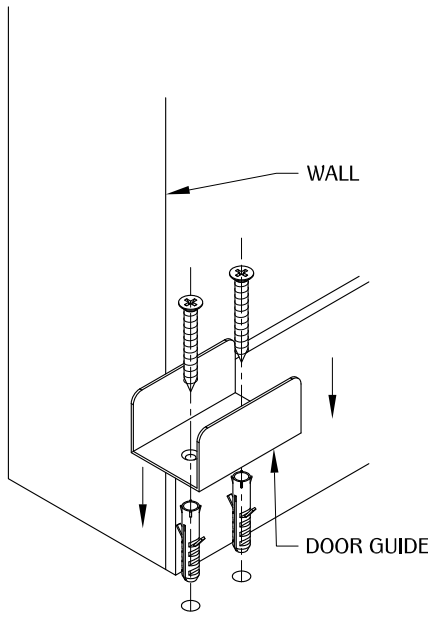


11 INSTALL DOOR GUIDE

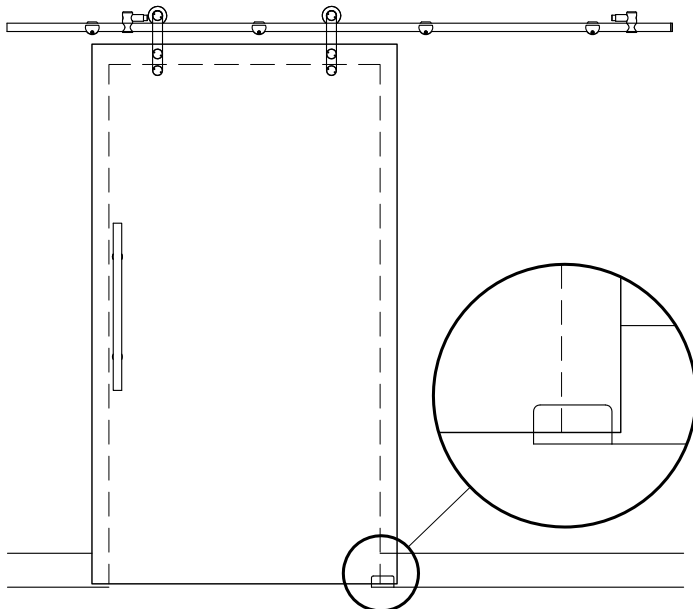
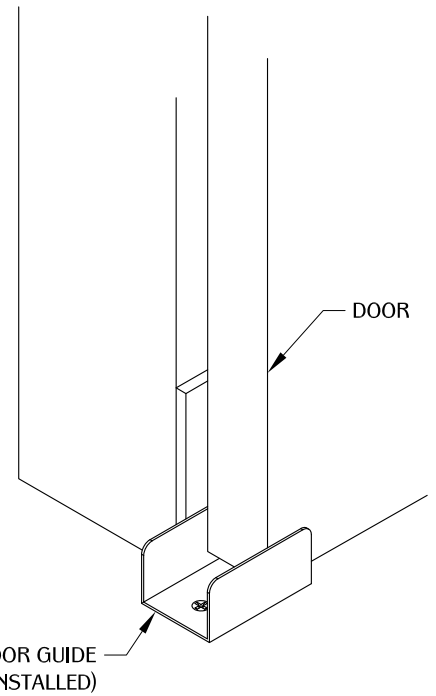


TOP VIEW

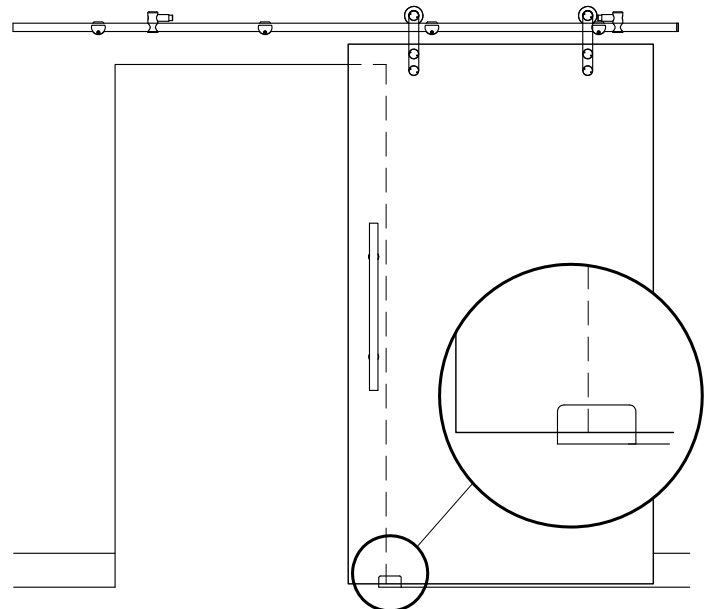
Install door guide on the floor. Position accordingly so door is always aligned with the bracket while sliding in either direction.



DOOR NOT SHOWN IN IMAGE.

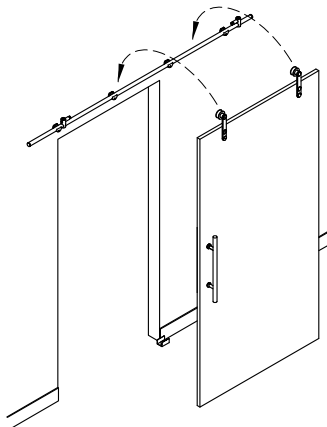


SHOWN WITH DOOR CLOSED

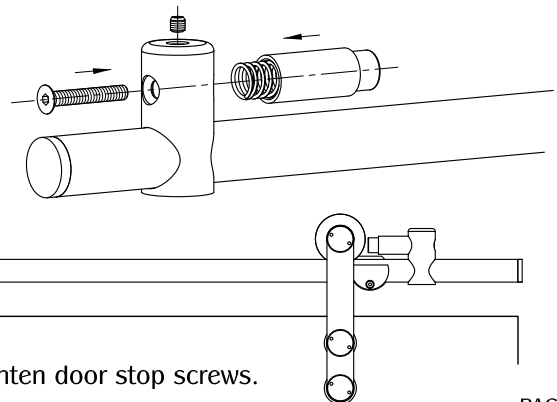


SHOWN WITH DOOR OPEN

12 HANG THE ASSEMBLED DOOR



13 INSTALLATION OF DOOR STOPS



Tighten door stop screws.