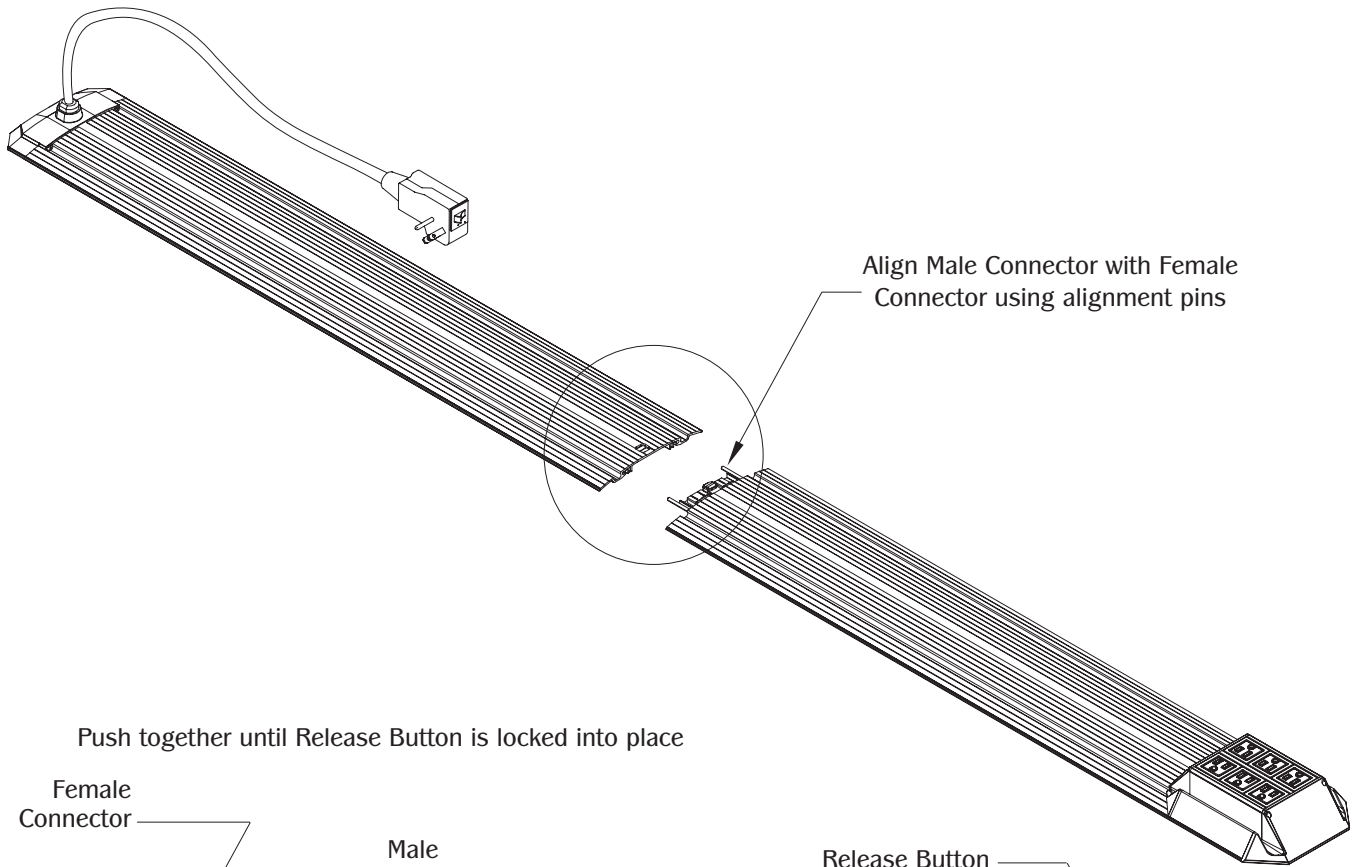


Part #

PTRC3

310.318.2491 • 800.523.1269 • www.mockett.com

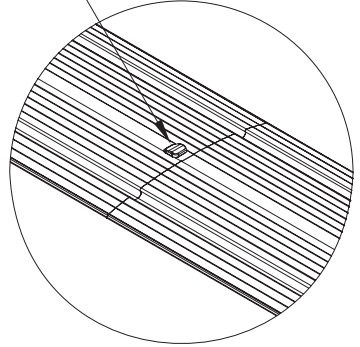
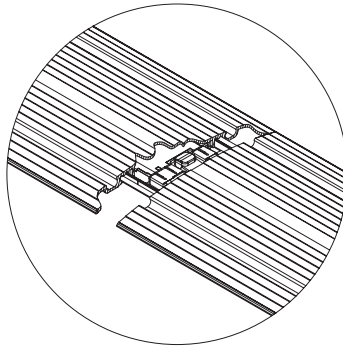
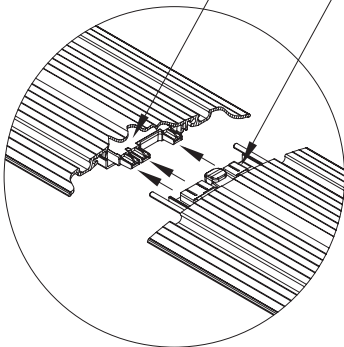
Instructions



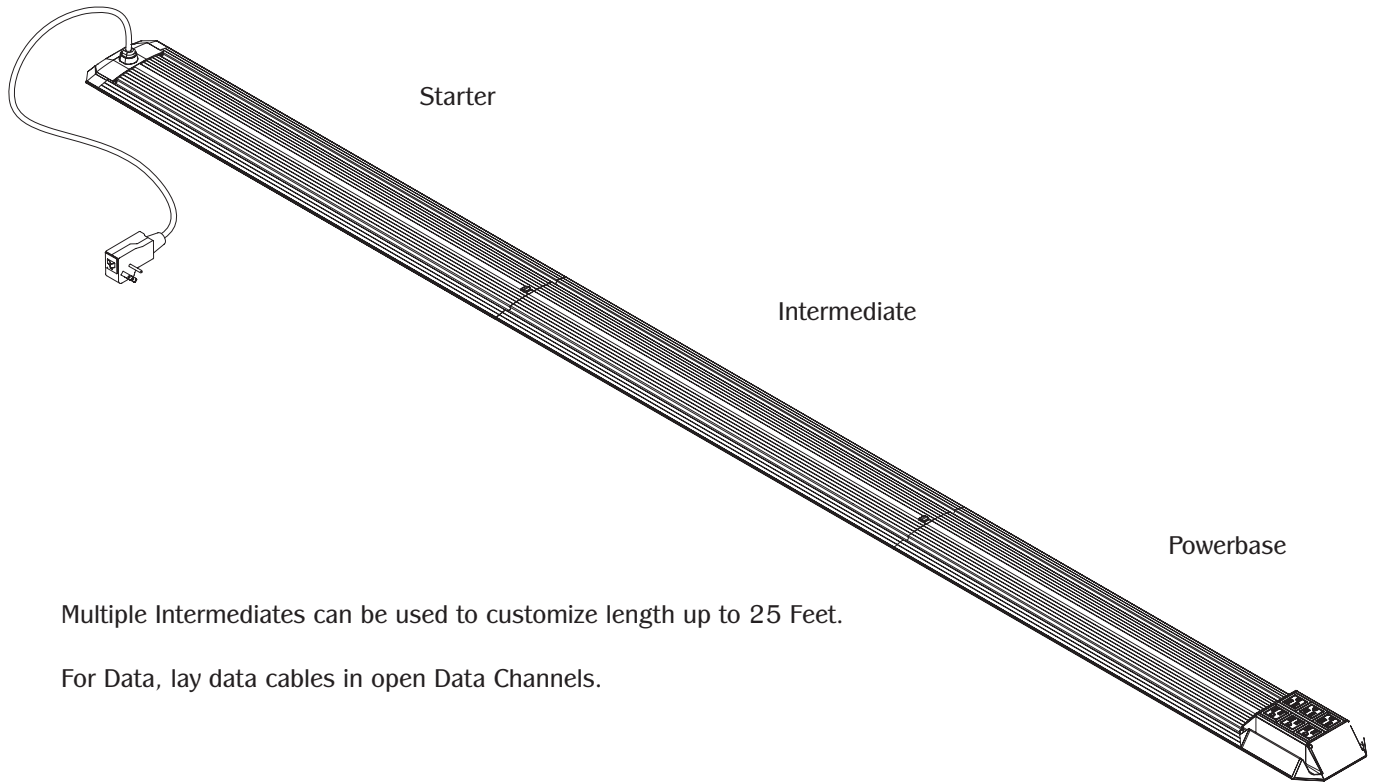
Female Connector

Male Connector

Release Button

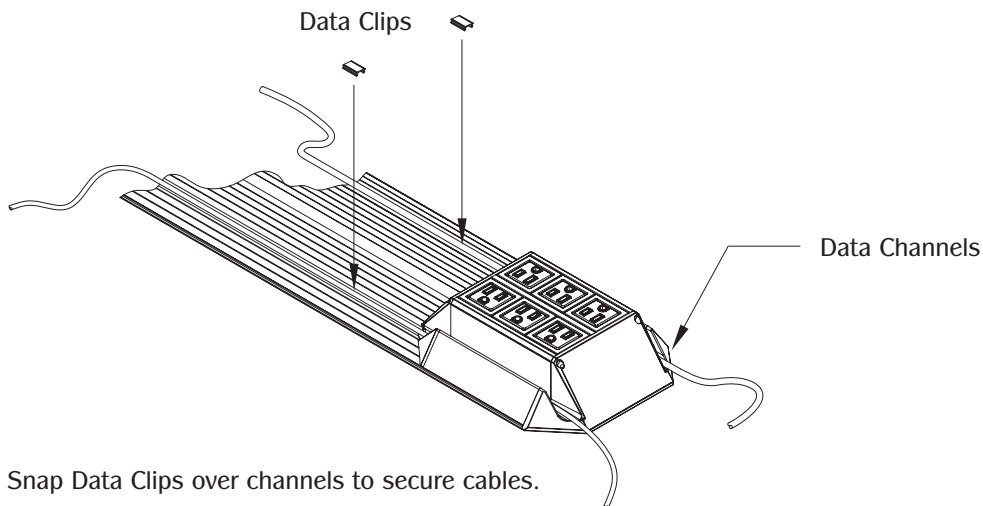


Repeat for all additional connections. Place in desired position. Plug cord into 15Amp outlet for use.



Multiple Intermediates can be used to customize length up to 25 Feet.

For Data, lay data cables in open Data Channels.



Snap Data Clips over channels to secure cables.

Note: Optional Glowstrip recharges via indoor and outdoor lighting

To disconnect PTRC3 unit:

UNPLUG PTRC3 STARTER FROM ELECTRICAL OUTLET ON WALL. Depress Release Button and slide units apart.

PTRC3 STORAGE INSTRUCTIONS:

- 1) Unplug PTRC3 and all electrical devices connected to it.
- 2) Separate PTRC3 into modular pieces (Powerbase, Intermediate & Starter).
- 3) Slide each piece into carrying case, using a separate compartment for each. Any alignment pins should be at the top where the case closes.
- 4) Use velcro to secure case cover.
- 5) Use handles of carrying case to transport PTRC3.