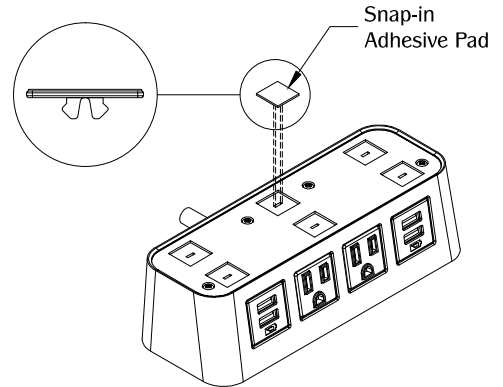
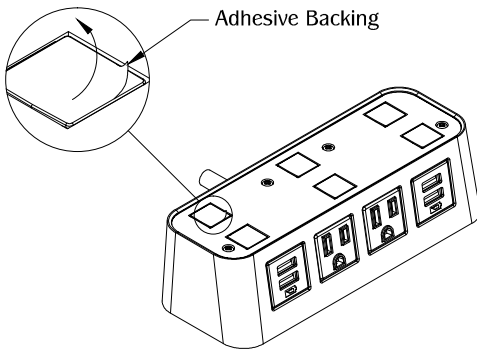


1



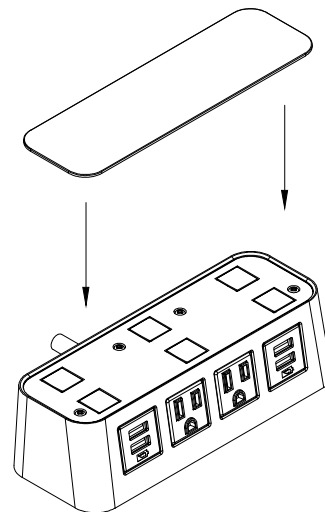
Align the Snap-in Adhesive pads to the top of the unit.

2



Peel off the adhesive backing on six places.

3



4

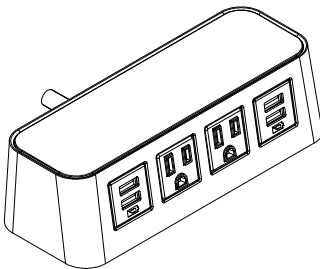
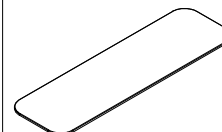


TABLE OF CONTENTS:



.....1 X PCS67T Top



.....6 X Snap-in Adhesive Pad