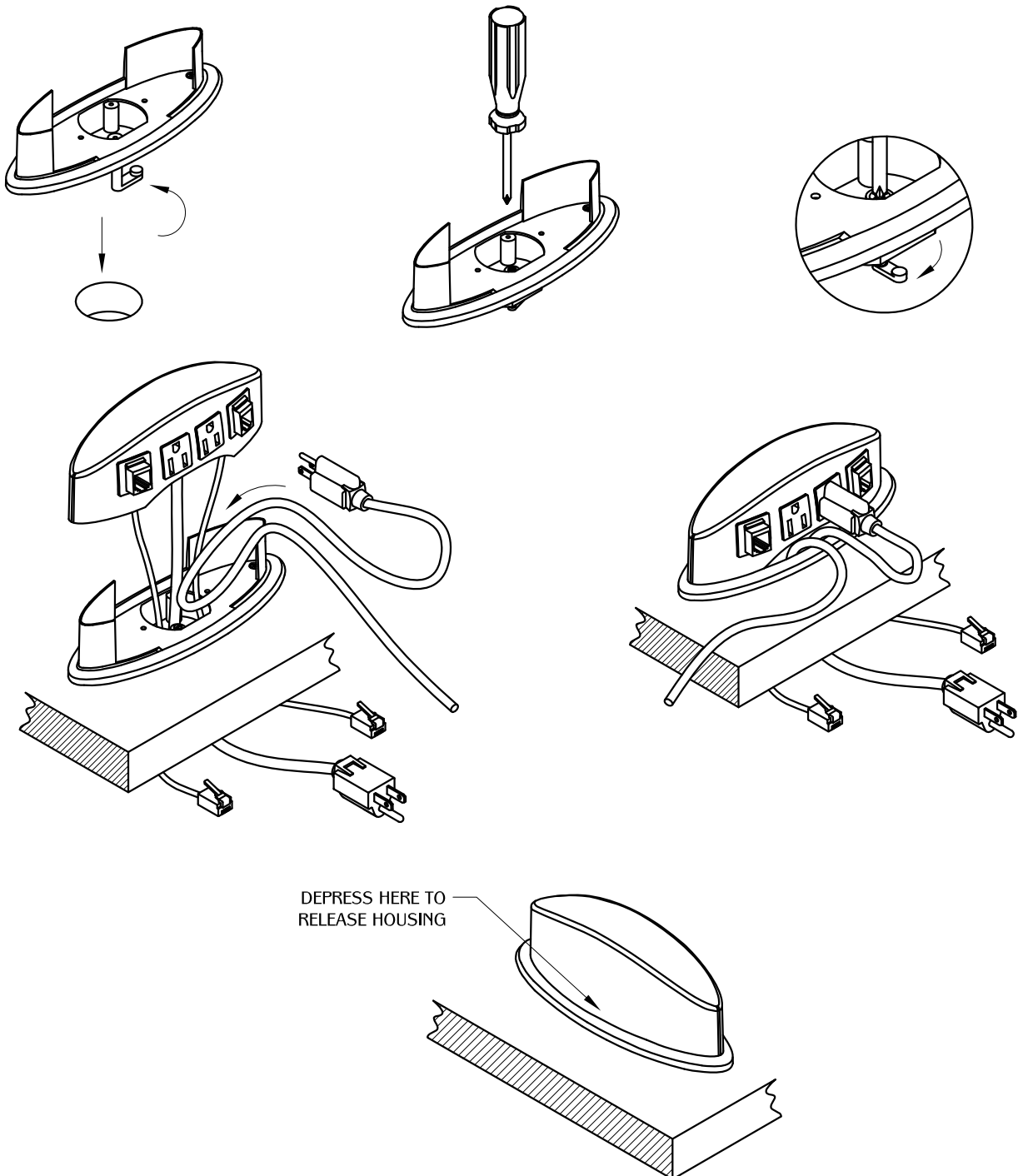


1. Determine location of the PCS26 on work surface. Make sure there is nothing under the work surface.
2. Make a 2-1/4" DIA. cut out in work surface.
3. Rotate locking cams to prevent interference before inserting base into hole/grommet.
4. Insert unit into the hole or grommet. Use a phillips screwdriver to tighten locking cams and secure unit base into work surface.
5. Insert the power and communication cords through the unit's base.
6. Any excess utility cords may be inserted into unit base.
7. Snap the unit housing onto the base.

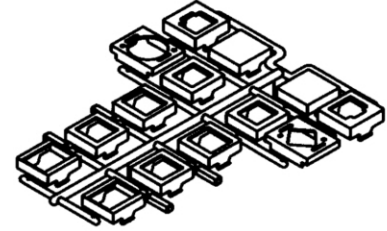


## INSTALLATION INSTRUCTIONS FOR VOICE/DATA ADAPTER KIT & BASE PLATE

1. Select the appropriate voice/data adapter from the chart below (example: Avaya coupler/jack would use "AA" adapter).

\*Jacks & couplers sold separately, UL Listed (DUXR) or Recognized (DUXR2) jacks/couplers required.

Note: Adapters accommodate coupler/jacks by the following manufacturers:



Adapter	Adapter Opening	Manufacturer	Website
AA	.654 X .700	Avaya/AT&T/Lucent Technologies	<a href="http://www.Avaya.com">www.Avaya.com</a>
BB	.594 X .792	Amp/Tyco	<a href="http://www.Amp.com">www.Amp.com</a>
BB	.594 X .792	Panduit, Keystone Type	<a href="http://www.Panduit.com">www.Panduit.com</a>
BB	.594 X .792	Allen Tel	<a href="http://www.Allentel.com">www.Allentel.com</a>
BB	.594 X .792	Leviton	<a href="http://www.Leviton.com">www.Leviton.com</a>
CC	.594 X .752	Amp/Tyco	<a href="http://www.Amp.com">www.Amp.com</a>
CC	.594 X .752	Krone	<a href="http://www.Krone.com">www.Krone.com</a>
CC	.594 X .752	Hubbell	<a href="http://www.Hubbell.com">www.Hubbell.com</a>
DD	No Opening	Blank (no coupler/jack)	
EE	.665 X .930	Ortronics TracJack	<a href="http://www.Ortronics.com">www.Ortronics.com</a>
FF	.626 X .660	Panduit Mini-Com Connectors	<a href="http://www.Panduit.com">www.Panduit.com</a>
GG	.953 Diameter	Microphone jack/3-pin XLR	
HH		Video Monitor jack/DB-15	

2. Snap voice/data jack into adapter following the instructions provided with the jack.

3. Once assembled, snap adapter into the notched, square holes in the orientation shown.

4. If provided, snap adapter into any 1-3/8" X 2-3/4" opening.

