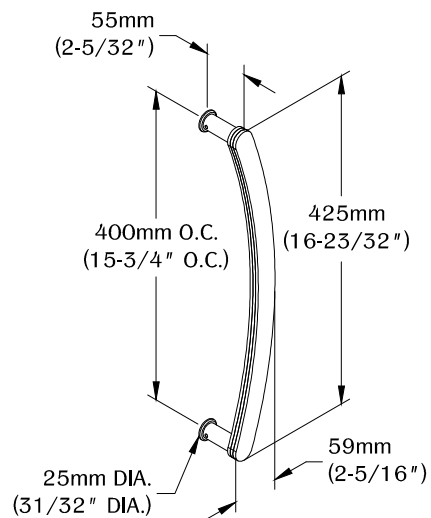


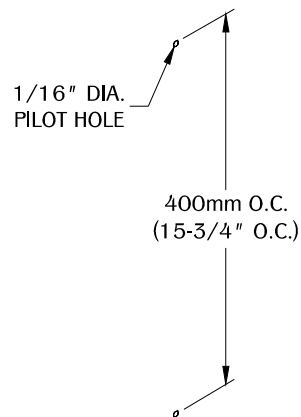
PART #

DH2B

310.318.2491 • 800.523.1269 • www.mockett.com



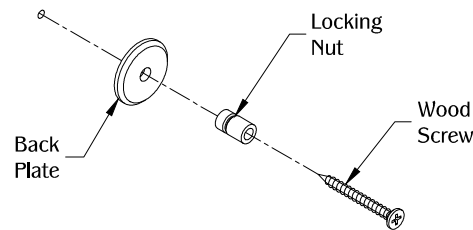
1



Drill 1/16" diameter pilot hole in to desired wooden door. (Note: Drill a 5/16" diameter hole for through hole installation.)

2a)

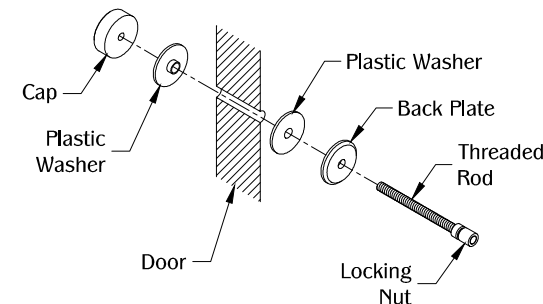
Wood screw installation:



Align the back plate and locking nut to the pilot hole. Install by using a wood screw.

2b)

Through hole installation:
(Requires DH2/SNGLSKIT-SSS)

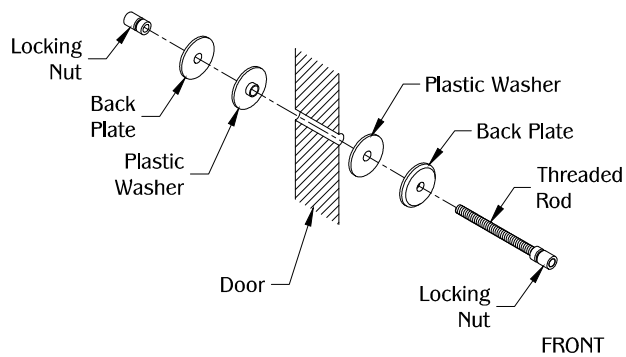


FRONT

Assemble the locking nut to end of the threaded rod. Align the back plate and plastic washer to the through hole. Secure assembly from the rear of the door with plastic washer and cap. (Note: Cut threaded rod if necessary.)

2c)

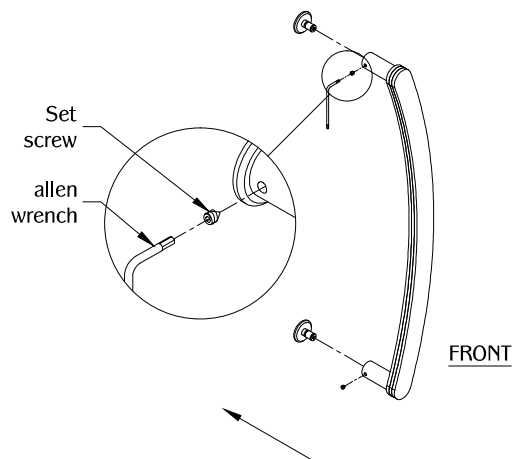
Back to back installation:
(Requires 2 set)



FRONT

Assemble the locking nut to end of the threaded rod. Align the back plate and plastic washer to the through hole. Secure assembly from the rear of the door with plastic washer, back plate and locking nut. (Note: Cut threaded rod if necessary.)

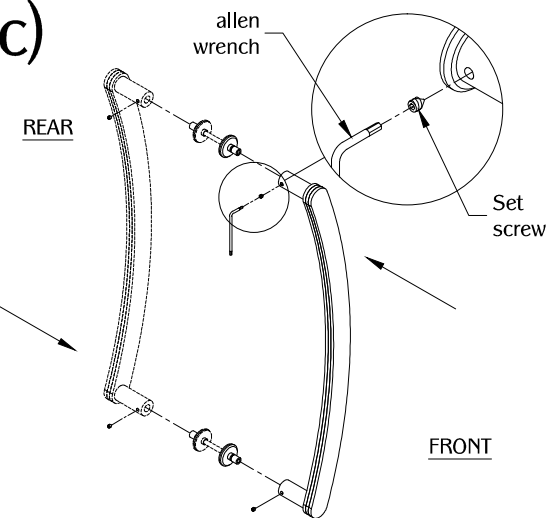
3



FRONT

Align the DH2B to the assembled base. Secure it with the (2) set screw using the allen wrench.

3c)



FRONT

Align the DH2B to the assembled base. Secure it with the (4) set screw using the allen wrench.

TABLE OF CONTENTS:

1 X DH2B
1 X 2-3/4" Threaded rod
2 X Back Plate
2 X Locking Nut
2 X Plastic Washer
2 X Wood Screw
1 X Allen Wrench
2 X Set screw

DH2/SNGLSKIT-SSS - Single Side Kit: (Purchased separately)

2 X Cap
2 X Plastic Washer
1 X 2-3/4" Threaded rod