

MOCKETT

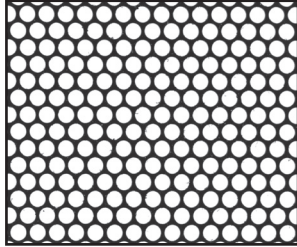
DOUG MOCKETT & COMPANY, INC

PO Box 3333
Manhattan Beach, CA 90266

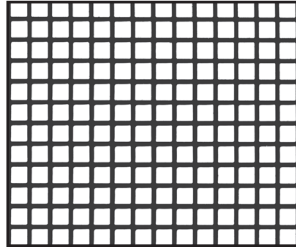
Questions? Please call
(800) 523-1269

Complete form and send it to
custom@mockett.com or fax it to: **(310) 376-7650**

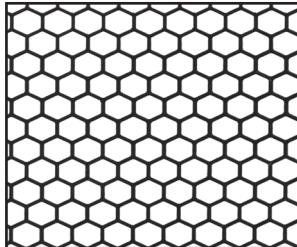
CUSTOM DEPARTMENT FORM - GT Series



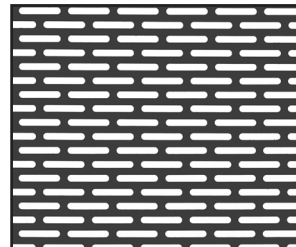
MESH/1 (63% Air Pass Through)



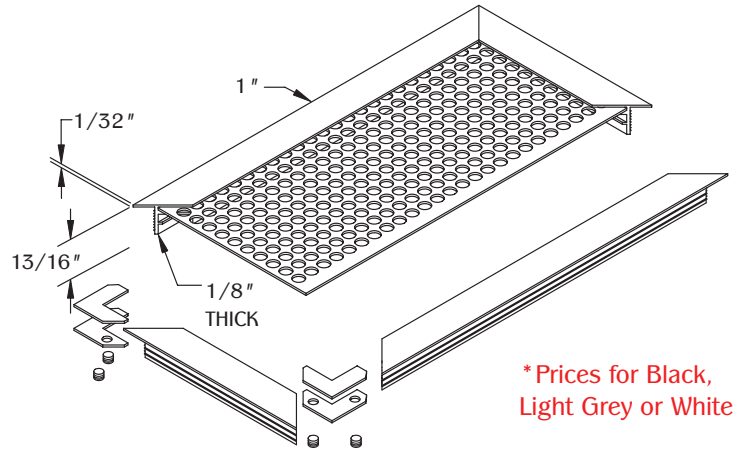
MESH/3 (64% Air Pass Through)



MESH/2 (79% Air Pass Through)



MESH/4 (41% Air Pass Through)



To calculate price, multiply length of cut-out hole by width in inches.
See price below. 4-6 week lead time.

Square inches	16-50 in ²	51-100 in ²	101-150 in ²	151-200 in ²	201-250 in ²	251-300 in ²
GT/MESH1(-)	\$54.00	\$57.70	\$69.30	\$80.60	\$94.40	\$103.40
GT/MESH2(-)	\$54.95	\$62.30	\$78.35	\$91.05	\$106.70	\$116.80
GT/MESH3(-)	\$55.90	\$63.45	\$79.70	\$92.70	\$108.60	\$118.90
GT/MESH4(-)	\$57.65	\$74.00	\$88.70	\$103.20	\$120.85	\$132.20

300in² and up - Please call for quote.

Specify

A. Mesh Style

MESH/1
 MESH/2
 MESH/3
 MESH/4

B. Cut-out Size (Hole size)

Width Length

Smallest Size is 4" x 4"

C. Overall Size (Skip if using section B)

Width Length

(- 3/8" on all sides)

Quantity

Price

Finishes:

- Unfinished
 Black
 White
 Light Grey
 Custom Finish

GT Air Vent Grilles are made to your specifications and cannot be cancelled once production begins.

Company: _____

Phone: _____

Contact: _____

Fax: _____

email: _____

Date: _____

Signature: _____

CREDIT CARD AUTHORIZATION
 Visa
 Mastercard
 American Express
 Discover

Cardholder's Name: _____

Credit Card Number: _____ Exp. Date: _____