

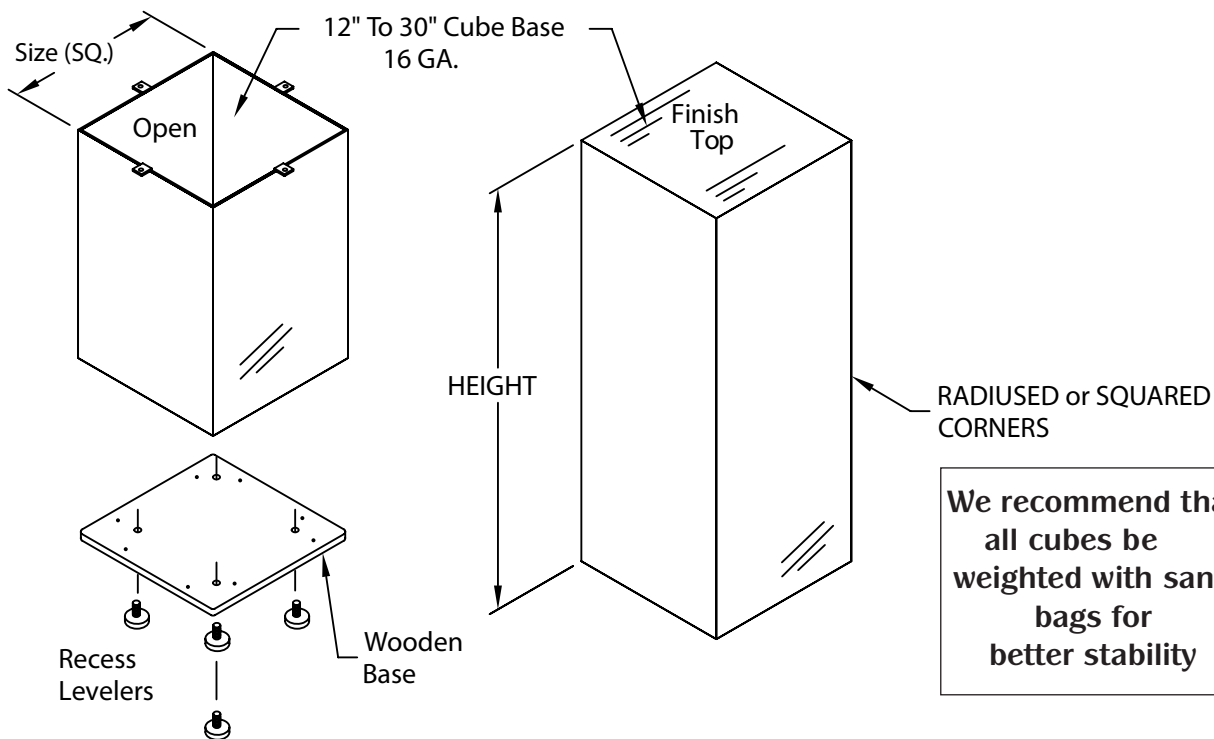
MOCKETT

DOUG MOCKETT & COMPANY, INC
 PO Box 3333
 Manhattan Beach, CA 90266

Questions? Please call
(800) 523-1269

Complete form and send to
custom@mockett.com or fax to: **(310) 376-7650**

CUSTOM DEPARTMENT FORM - Cube



We recommend that all cubes be weighted with sand bags for better stability

Specify

Corners		A	B	Open Top	Finished Top
Radiused	Squared	Size	Height	w/Tabs	Top
<input type="checkbox"/>	<input type="checkbox"/>	<input type="text"/>	<input type="text"/>	<input type="checkbox"/>	<input type="checkbox"/>

Base Options		If top is finished, would you like cube weighted?		Quantity
Wooden Base With Leveler	Steel Bottom (without leveler)	Yes	No	<input type="text"/>
<input type="checkbox"/>	<input type="checkbox"/>	<input type="checkbox"/>	<input type="checkbox"/>	

Finishes:

Unfinished
 Matte Black
 Polished Stainless Steel
 Satin Stainless Steel
 Custom Finish (please provide sample)

Company: _____

Phone: _____

Contact: _____

Fax: _____

Comments: _____

Email: _____